

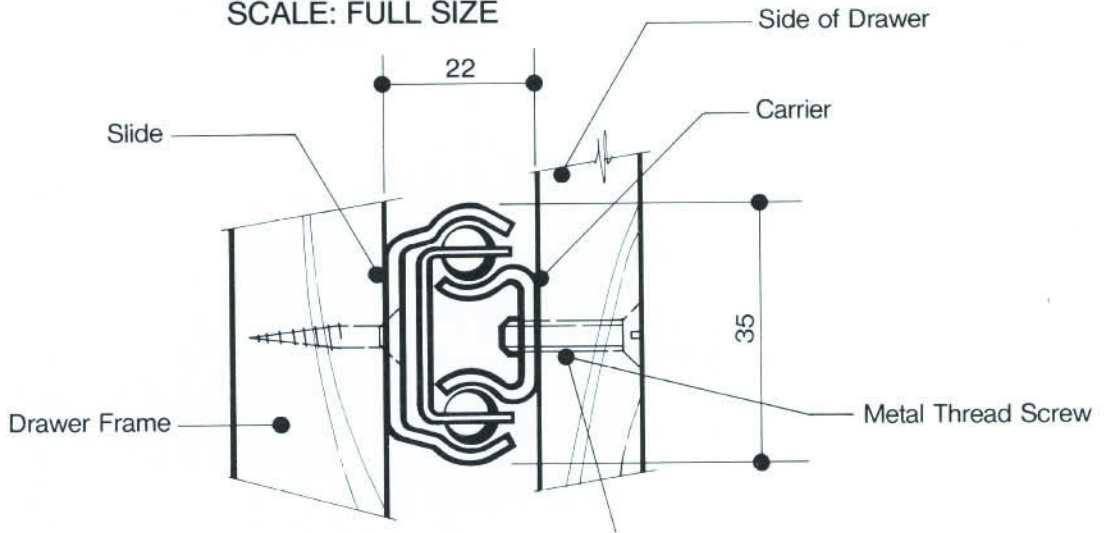
FITZROY BALL BEARING DRAWER SLIDES

STEEL JUNIOR S40D

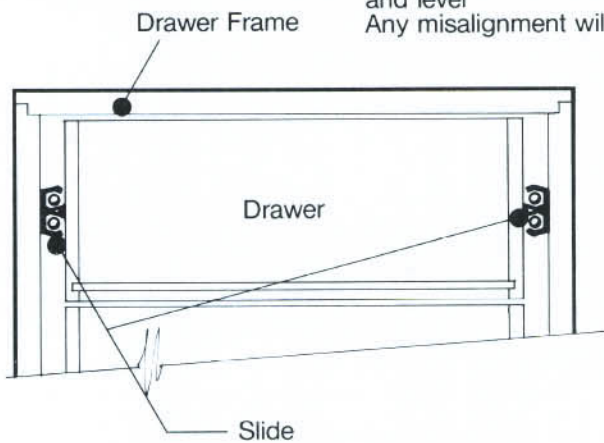
Weight Capacity 40 Kgs/pair

TYPICAL SECTION SLIDE

SCALE: FULL SIZE

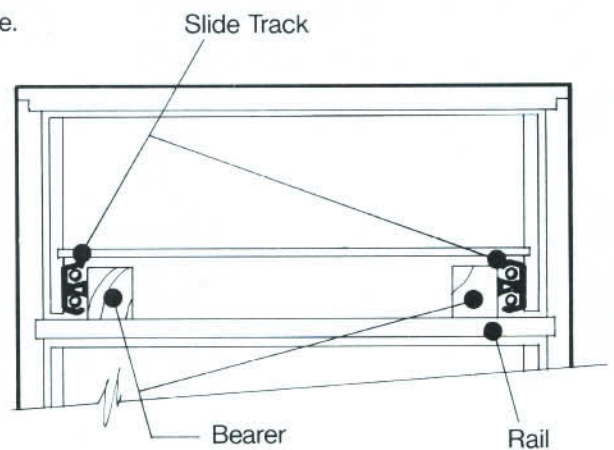


SIDE MOUNTING

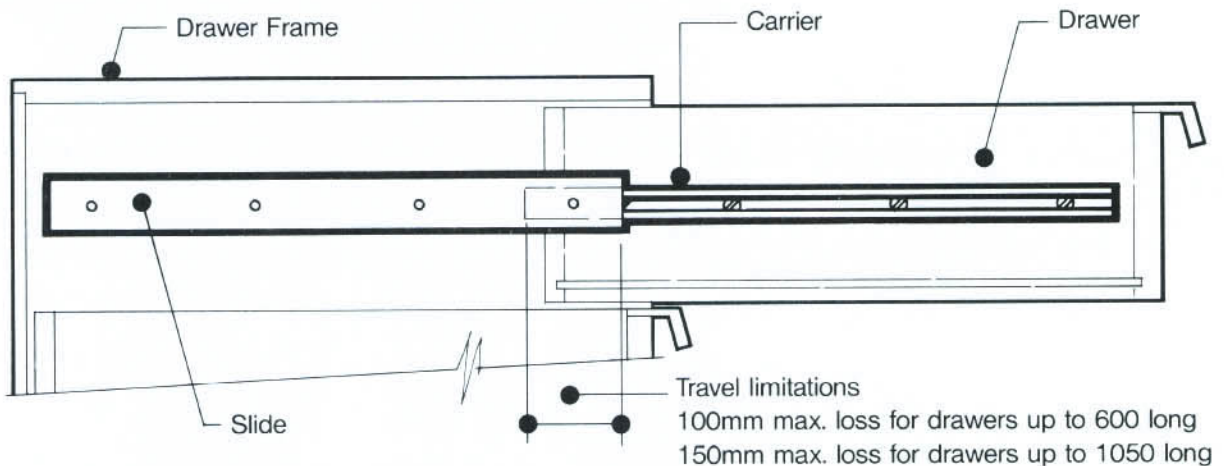


Note: Slide tracks must be parallel and level. Any misalignment will jam slide.

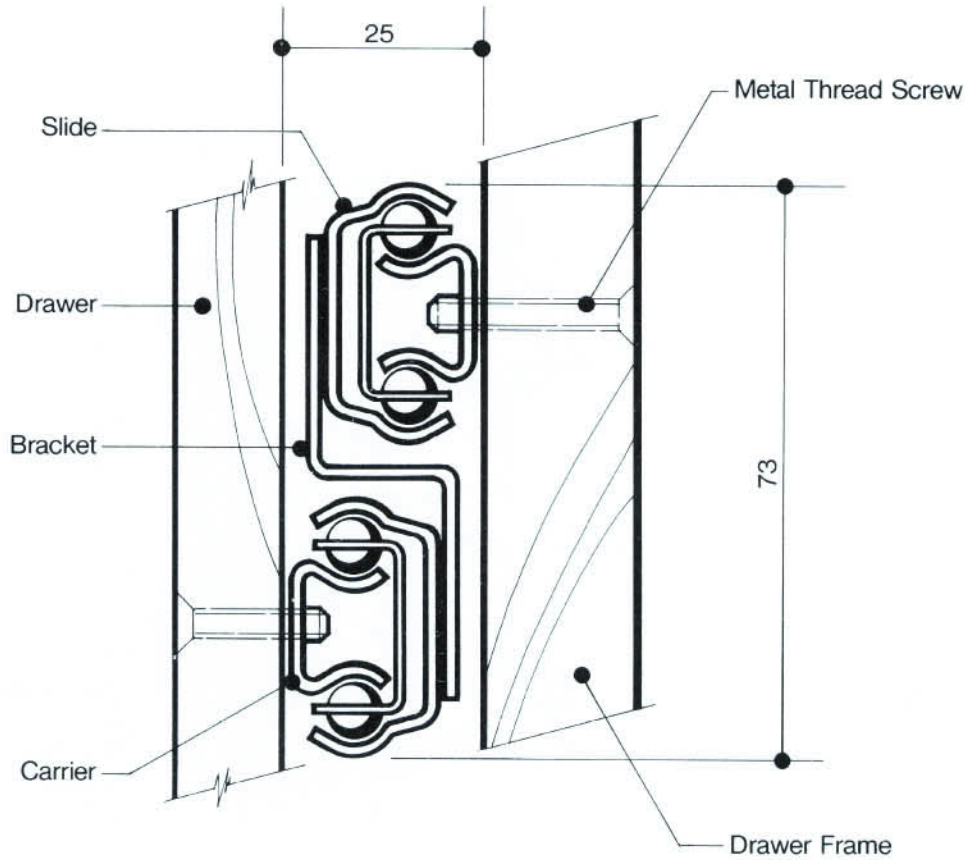
CONCEALED MOUNTING



TRAVEL LIMITATIONS STANDARD UNIT



**TYPICAL SECTION
DOUBLE SLIDE
SCALE: FULL SIZE**



ELEVATION 100% FULL TRAVEL UNIT

