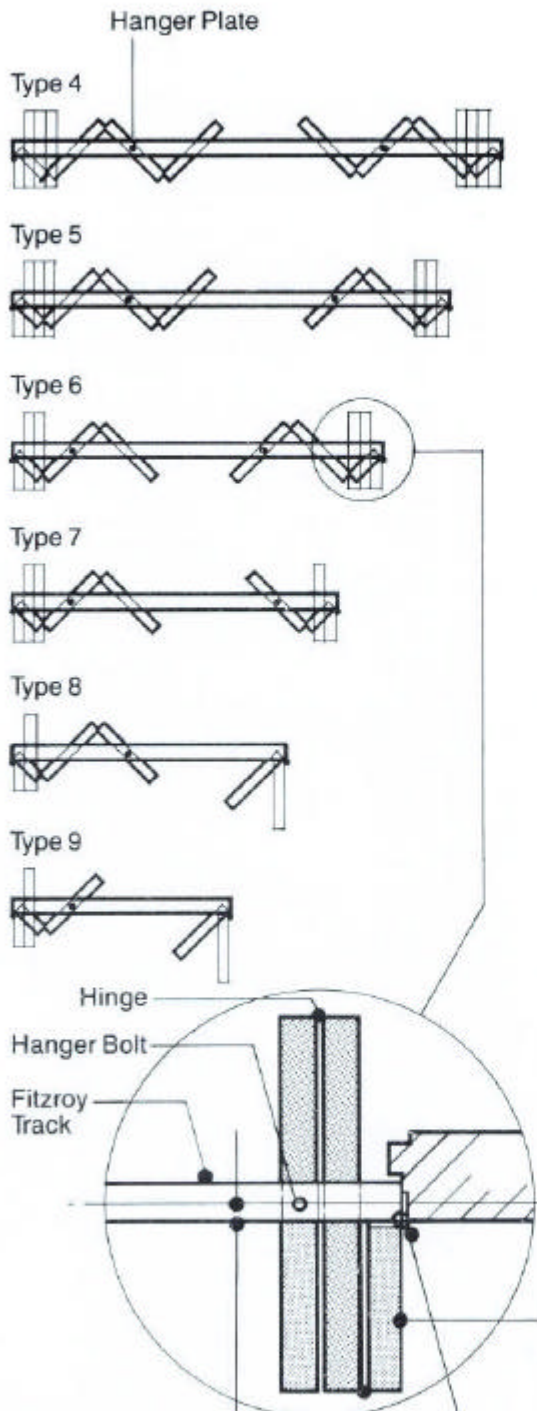


## FITZROY BALL BEARING DOOR TRACKS

### ALLOY LIGHT A100a

Accordion Track.



**Very Important Note (1)**  
Subtract half the door thickness from width of half doors

Note  
No offsets to butts on post.

Half Door  
(See Note (1))

Set out on this page is an Accordion Door System using the Alloy Light Fitzroy Door Track.

As for the bi-fold door, overleaf, the suggested maximum door leaf width is 1000 mm and the assembly weight should not exceed 50 kg per hanger plate.

For best results good quality butt hinges should be used throughout.

As shown in the diagrams at the left, up to 3½ doors can be swung at each side. Note the location of the hanger plates.

