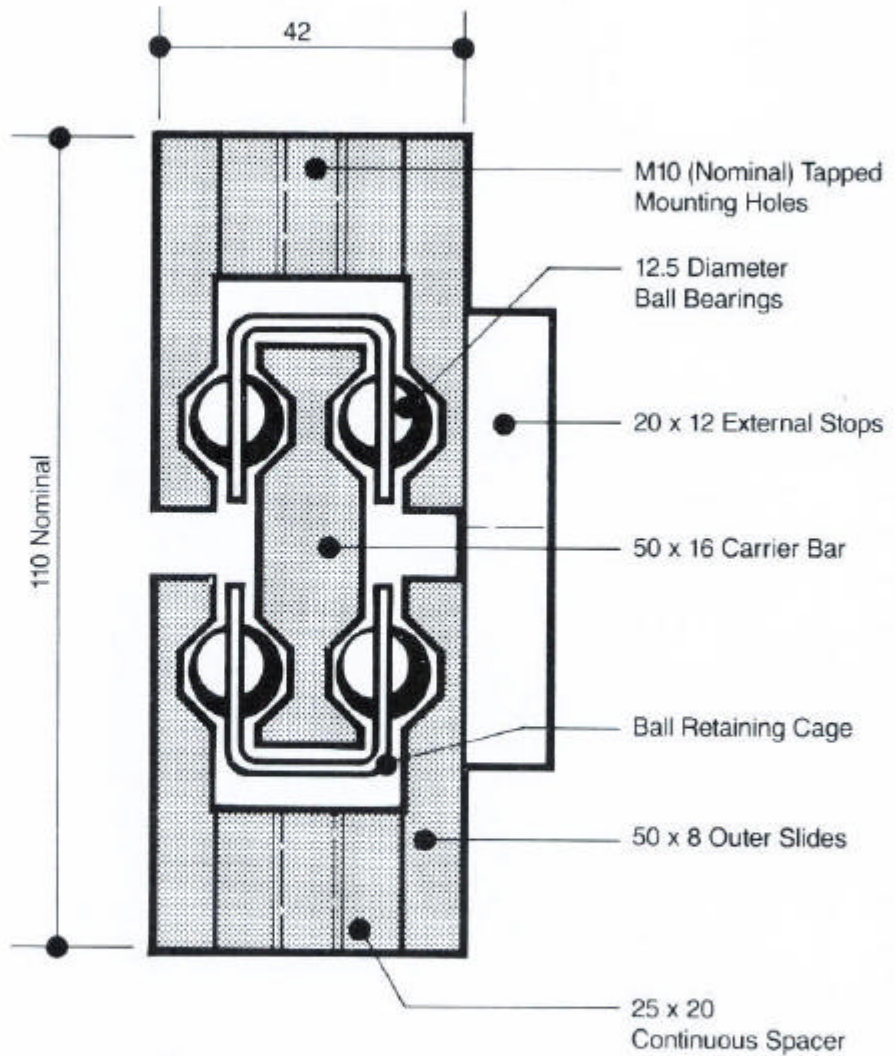


STEEL MEDIUM S500WD

SECTION FULL TRAVEL UNIT (LESS RETENTION)

SCALE: FULL SIZE



ELEVATION FULL TRAVEL UNIT

NOT TO SCALE

