

FITZROY BALL BEARING BOAT RACK TRACK

STEEL MEDIUM S500 BRT

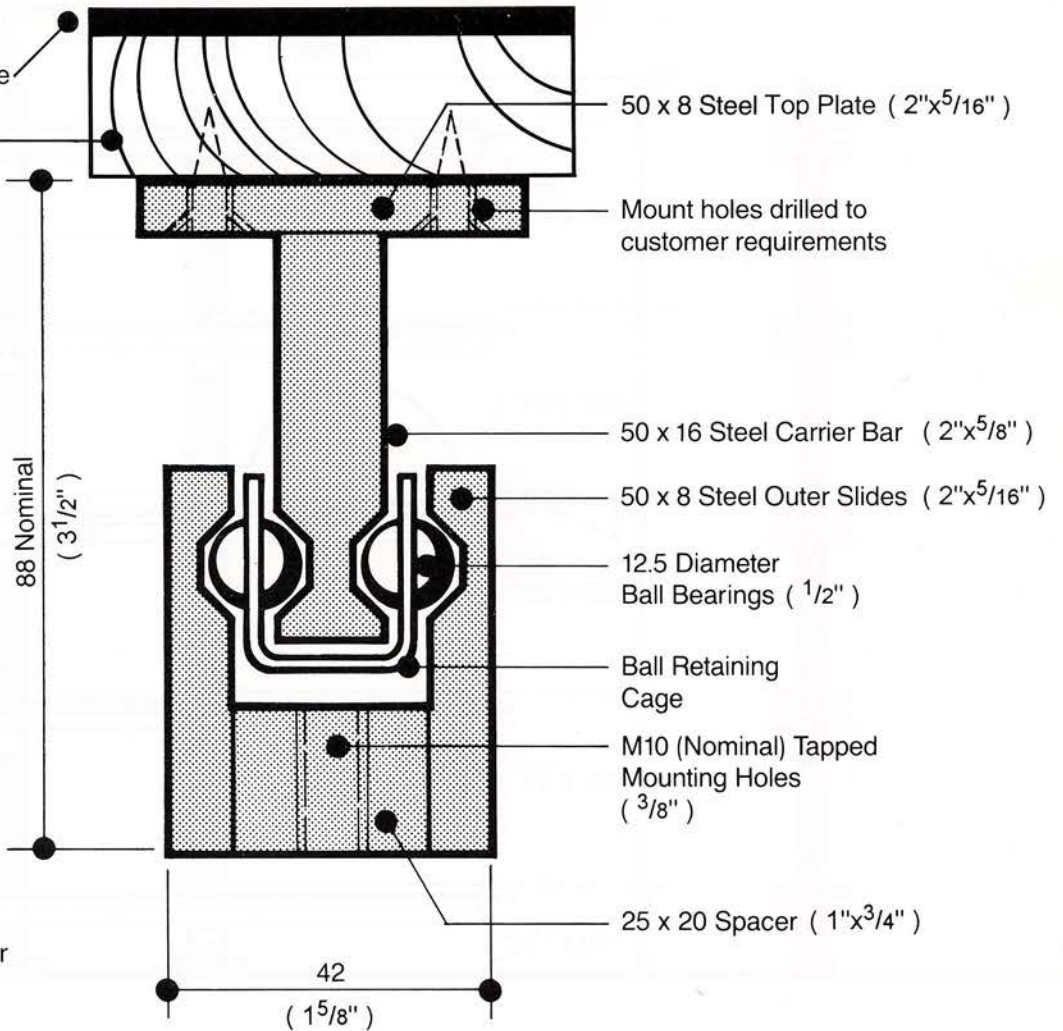
Weight Capacity 360 Kgs/pair

790 lbs /pair

TYPICAL SECTION STANDARD UNIT

SCALE: FULL SIZE

It is recommended you supply and fit impact absorbing boat rests- Rubber or felt surface and Timber mount



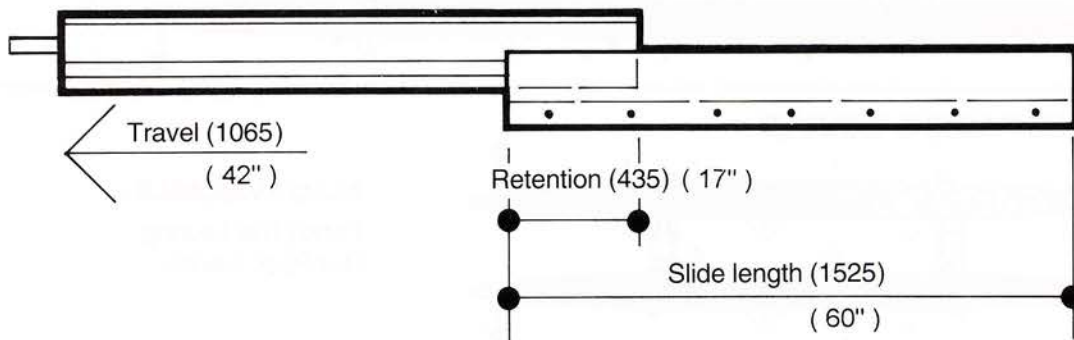
Colour option:
 Nominate your colour baked enamel finish

ELEVATION STANDARD BOAT RACK TRACK

NOT TO SCALE

Note: Slide Tracks must be parallel and level.

Standard measurements as shown, other sizes available.



Australian Design Award 1988



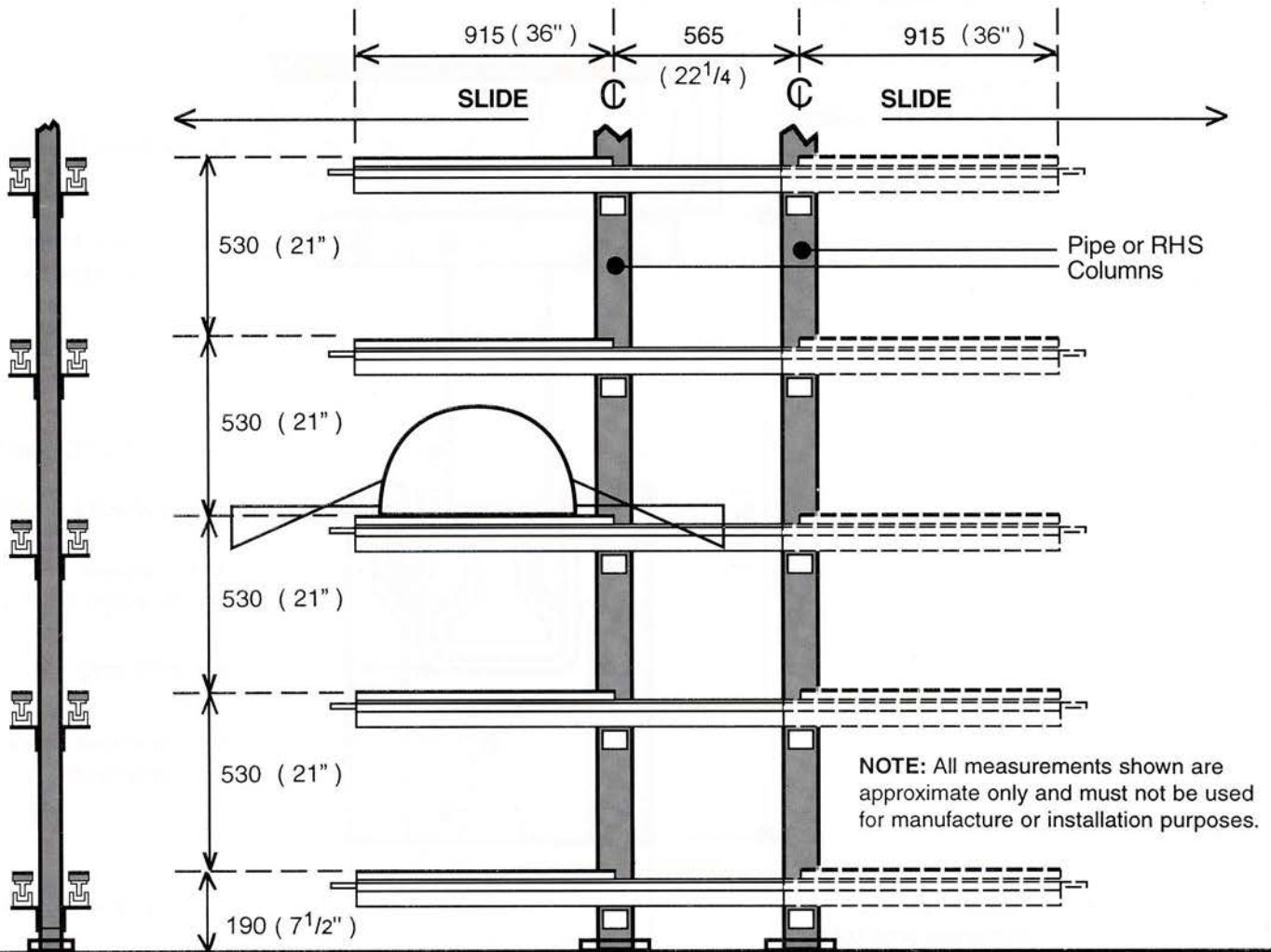
Charles Marshall Pty Ltd
 Fitzroy® Ball Bearing Sliding Door Tracks And Withdrawal Units
 Authorised for 1999
 Licence No. 88308
 STANDARDS AUSTRALIA

BOAT RACK TRACK

SUGGESTED INSTALLATION METHOD

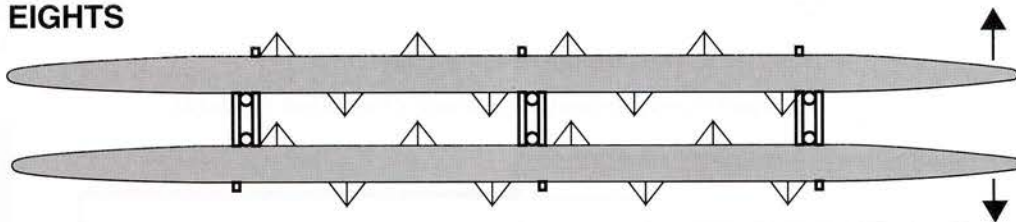
END SECTION

END ELEVATION
Through double/single rack mounting.

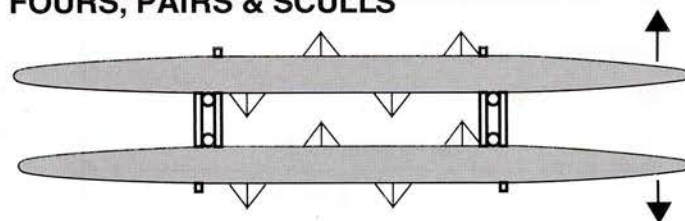


PLAN VIEWS

EIGHTS



FOURS, PAIRS & SCULLS



ALSO AVAILABLE:
Fitzroy Ball bearing
Oar Rack Tracks