

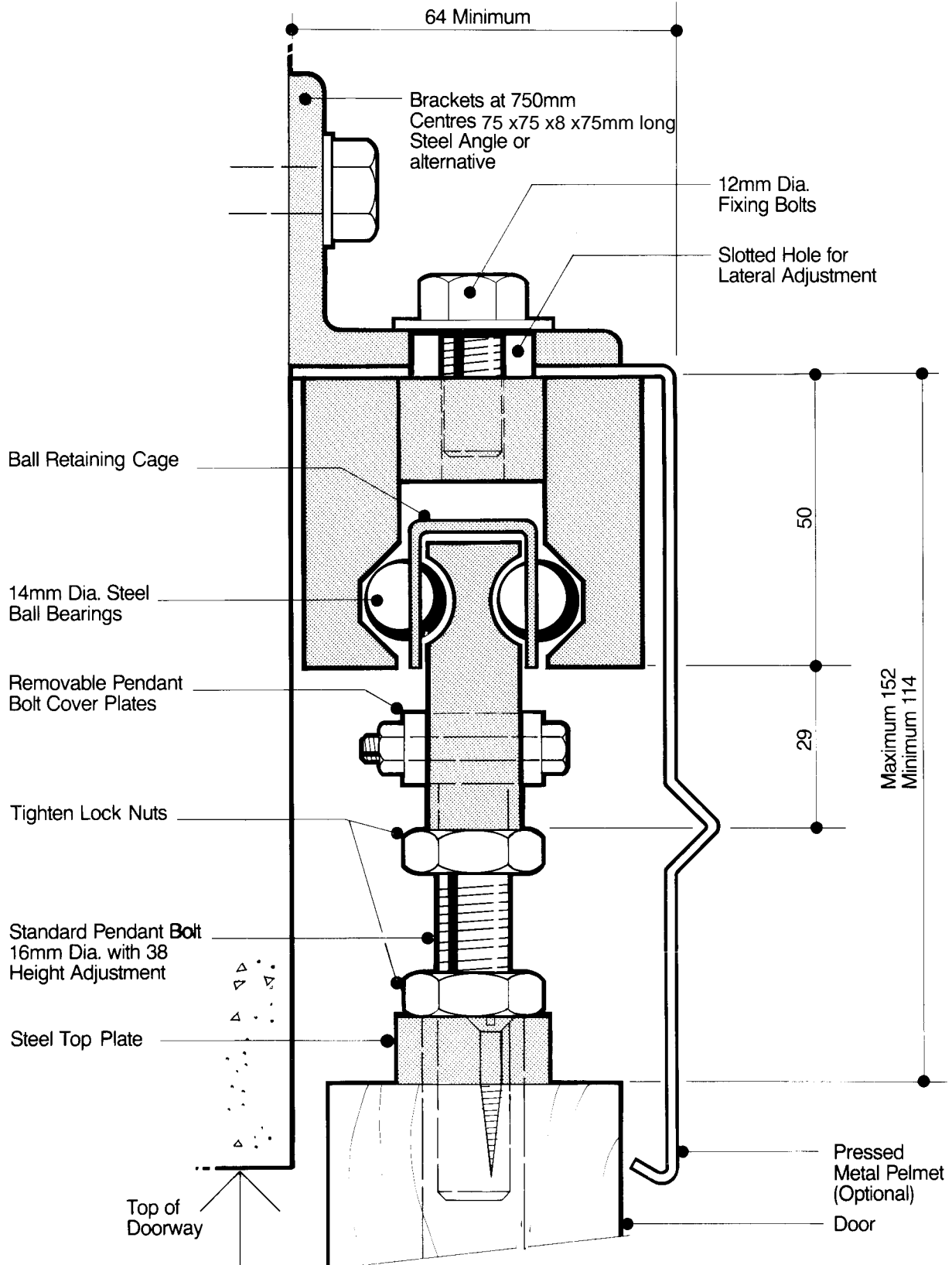
**FITZROY BALL BEARING DOOR TRACKS**

**STEEL HEAVY S1000**

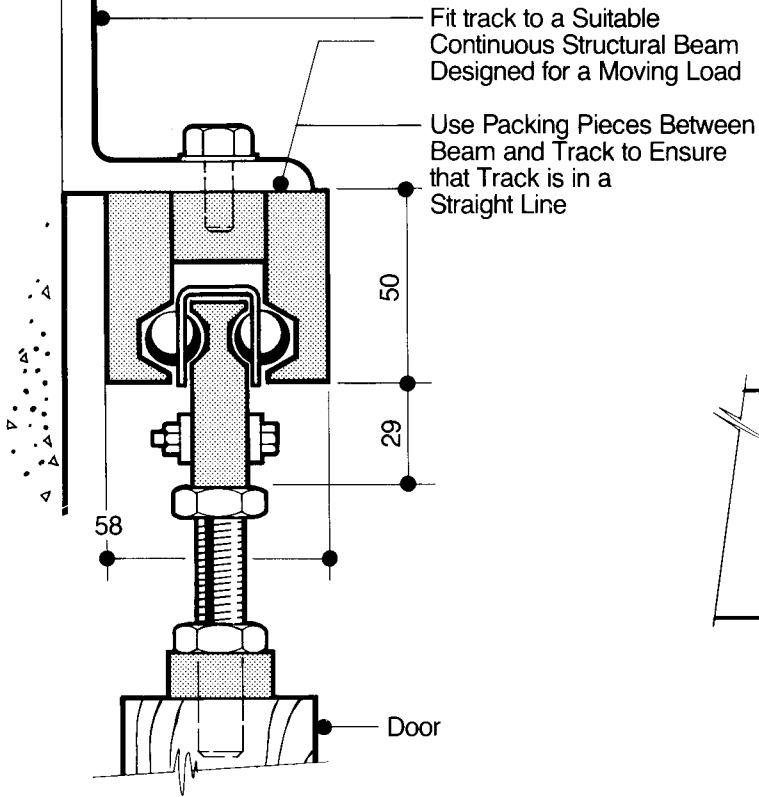
Weight Capacity 1000 Kgs

**FACE OF WALL FIXING**

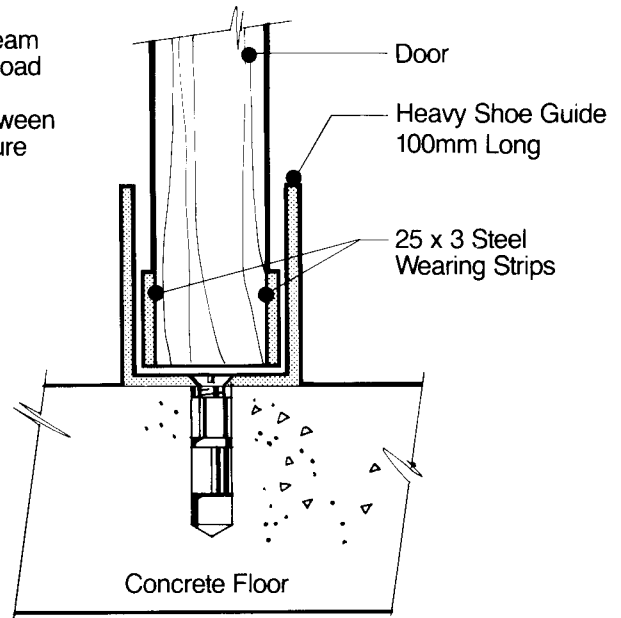
SCALE: FULL SIZE



## ALTERNATIVE OVERHEAD FIXING SCALE: HALF FULL SIZE



## SUGGESTED DOOR BASE SHOE GUIDE SCALE: HALF FULL SIZE



## ELEVATION SCALE: QUARTER FULL SIZE

