

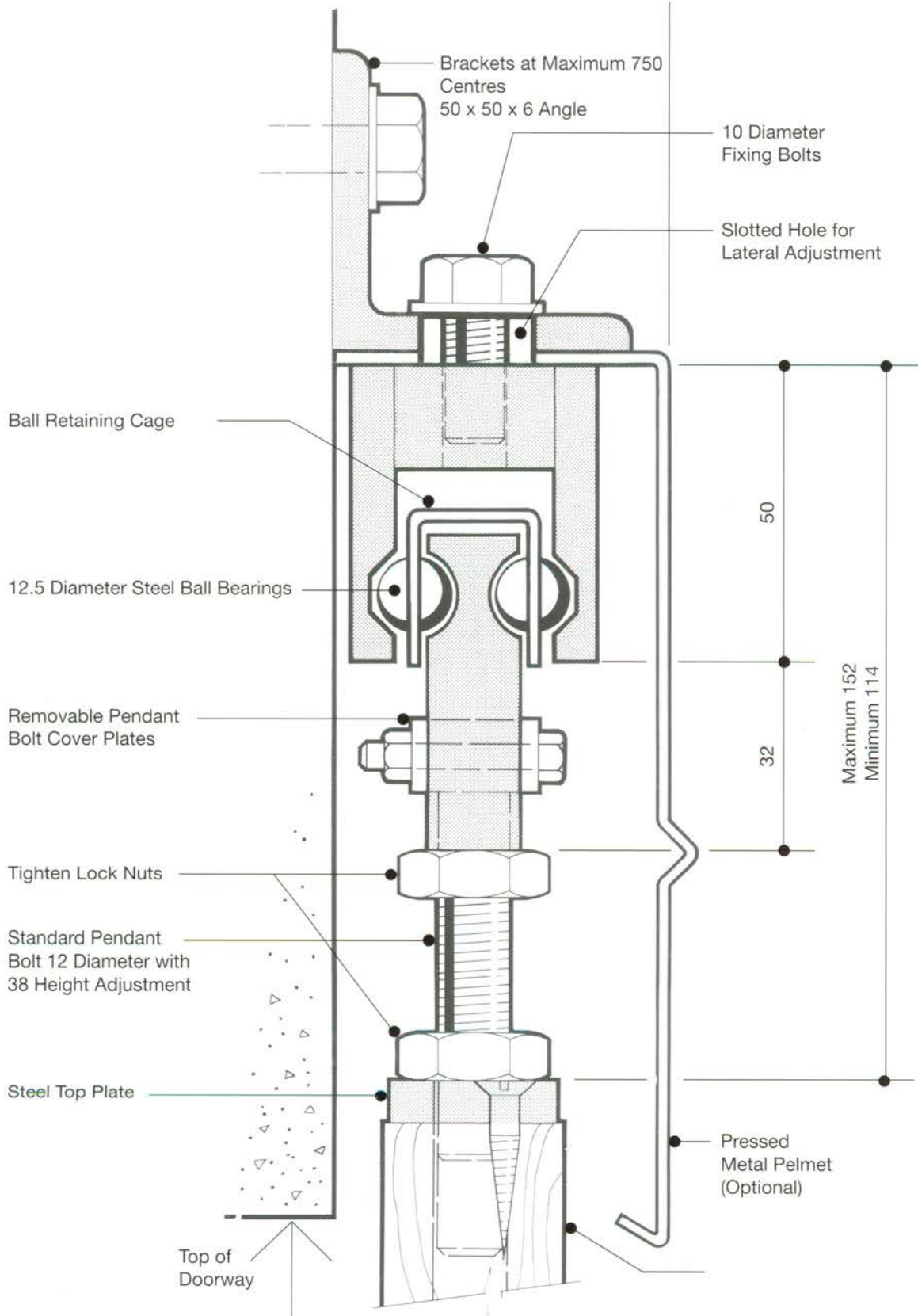
S500 STEEL MEDIUM

Weight Capacity - 500 Kgs

FITZROY BALL BEARING DOOR TRACKS

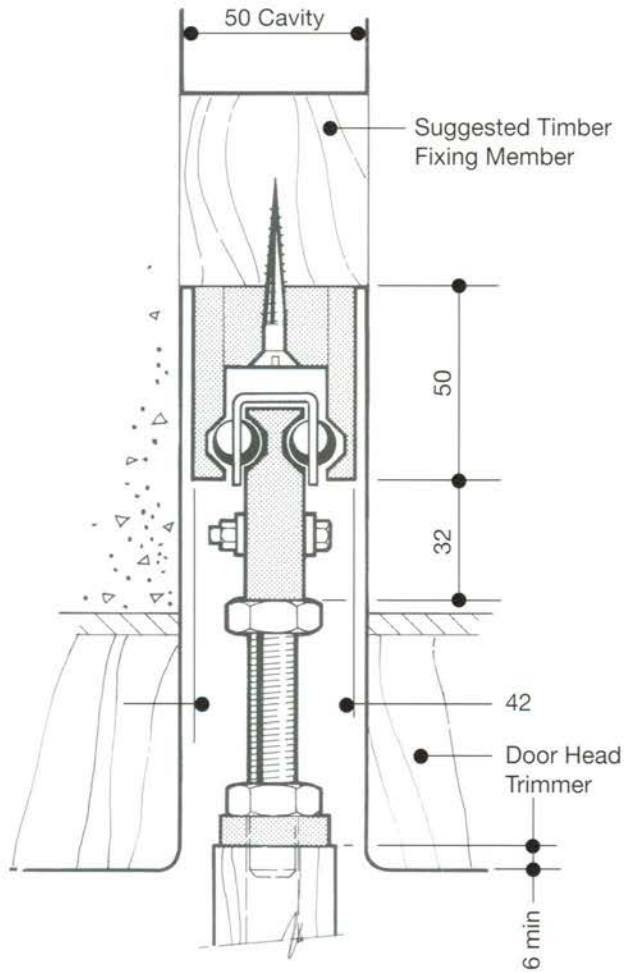
FACE OF WALL FIXING

SCALE: FULL SIZE



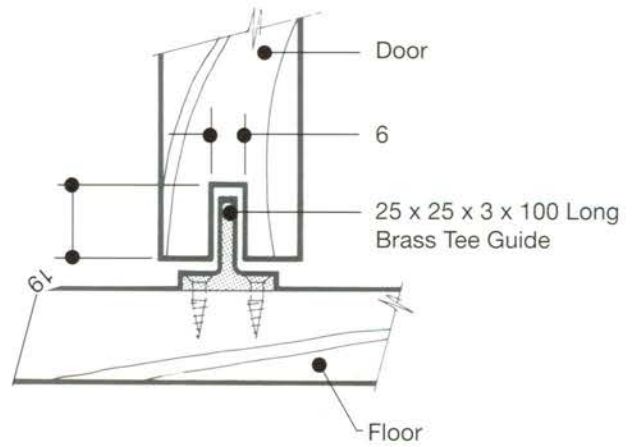
CAVITY WALL FIXING

SCALE: HALF FULL SIZE



DOOR BASE GUIDE

SCALE: HALF FULL SIZE



ELEVATION - CAVITY FIXING

SCALE: QUARTER FULL SIZE

