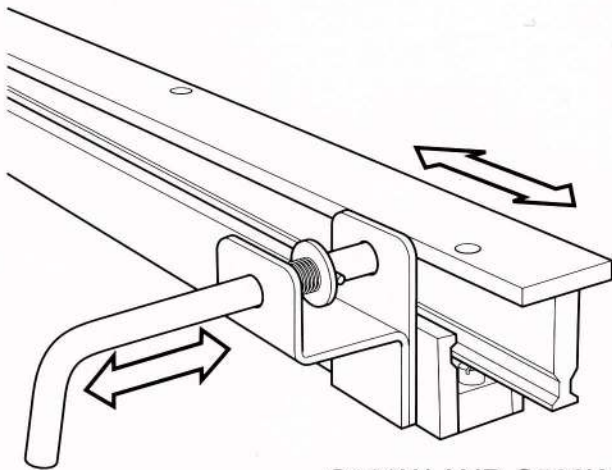
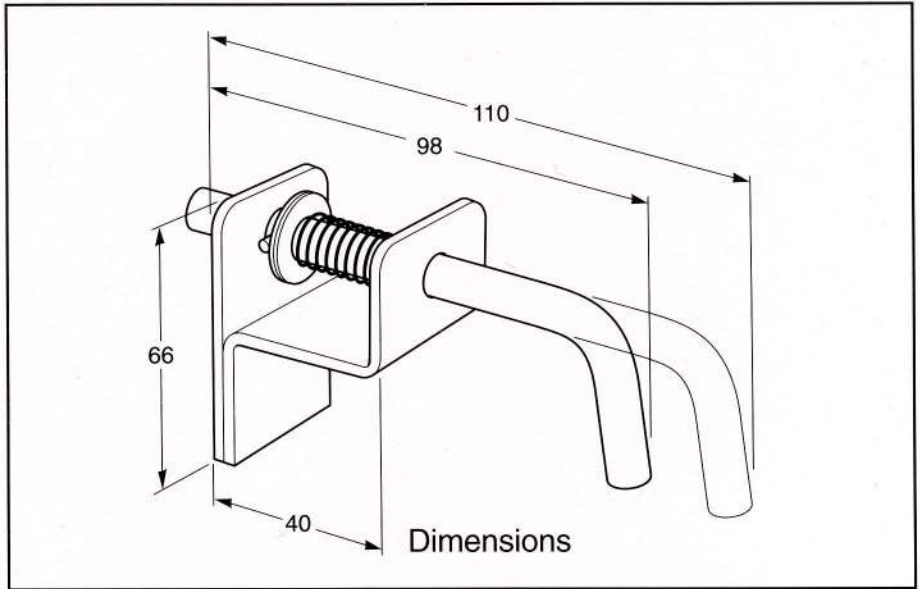


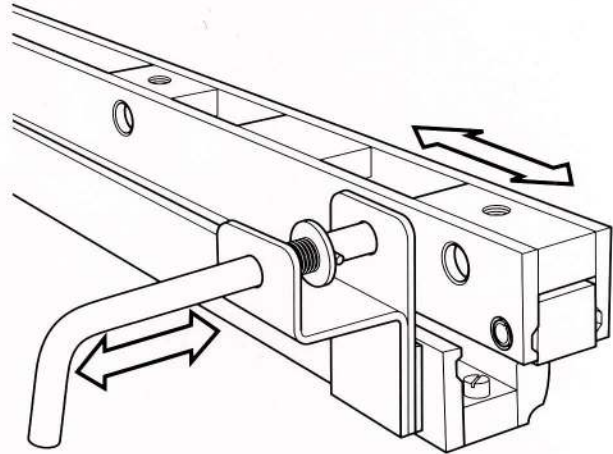
FITZROY BALL BEARING WITHDRAWAL UNITS

SPRING LOCK BOLT

Quick release to open and close for use on Series S100W-S100WD and S500W-S500WD Withdrawal Units. 1-only Spring Lock Bolt is normally sufficient per pair.



S100W AND S500W



S100WD AND S500WD

NOMINATE POSITION OF SPRING LOCK BOLT WHEN ORDERING

Quote one number only

- Position ①
- Position ②
- Position ③
- Position ④

