

FITZROY BALL BEARING WITHDRAWAL UNITS

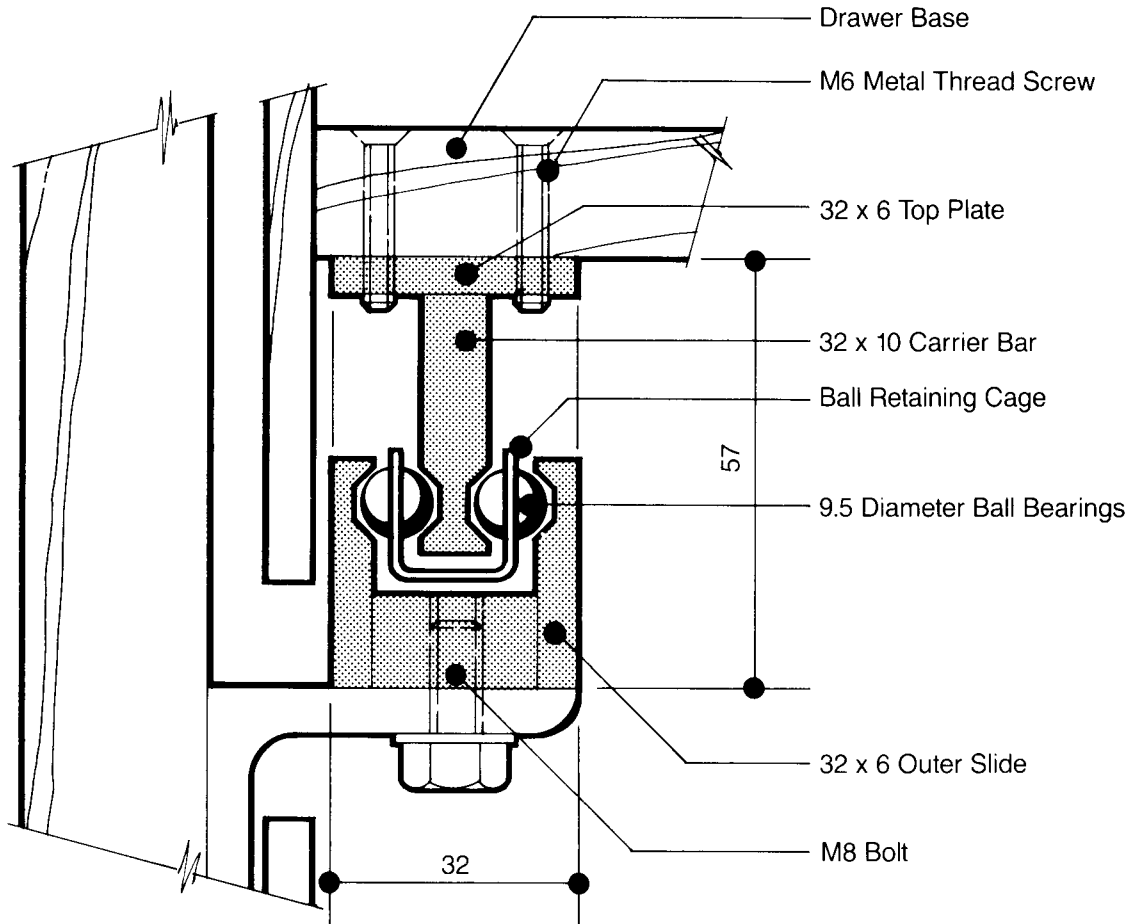
STEEL LIGHT S100W

Weight Capacity 150 Kgs/pair

TYPICAL SECTION STANDARD UNIT

SCALE: FULL SIZE

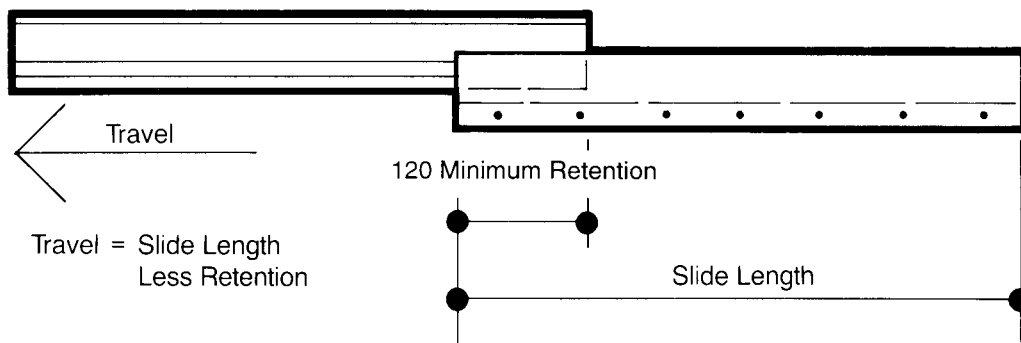
IMPORTANT
 WEIGHT CAPACITY IS NOMINAL.
 RECOMMENDED WORKING LOAD IS
 CONTROLLED BY SLIDE LENGTH AND
 TRAVEL, AND LOAD DISTRIBUTION



ELEVATION STANDARD WITHDRAWAL UNIT

NOT TO SCALE

Note: Slide tracks must be parallel and level. Any Misalignment will Jam Slide.



Australian Design Award 1990



Charles Marshall Pty Ltd
 Fitzroy® Withdrawal Units
 S100W - S100WD
 S500W - S500WD
 S1000W - S1000WD
 Authorised for 1999
 Licence No. 90348
STANDARDS AUSTRALIA

Marshall's

CHARLES MARSHALL PTY. LTD ACN 004 107 411
 451 Burnley St., Richmond, Victoria. 3121. Australia
 Phone: (03) 9429 9044. Fax: 61-3-9428 0238.

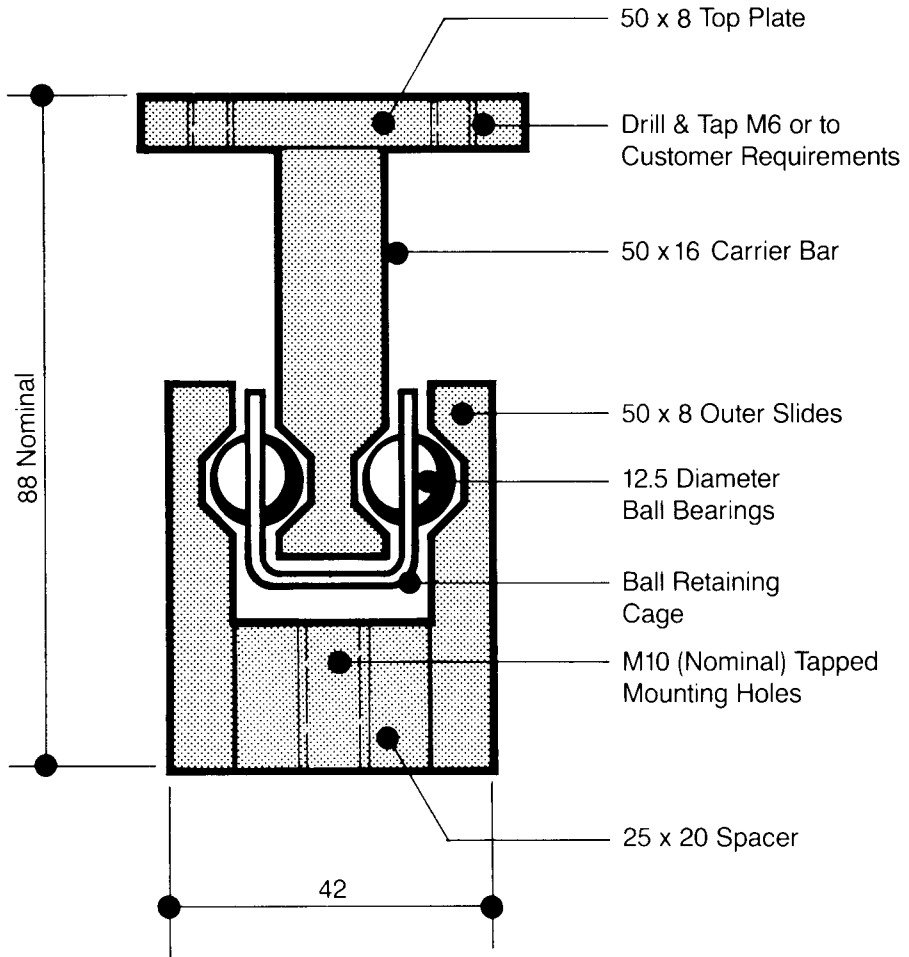


FITZROY BALL BEARING WITHDRAWAL UNITS
STEEL MEDIUM S500W Weight Capacity 500 Kgs/pair

TYPICAL SECTION STANDARD UNIT

SCALE: FULL SIZE

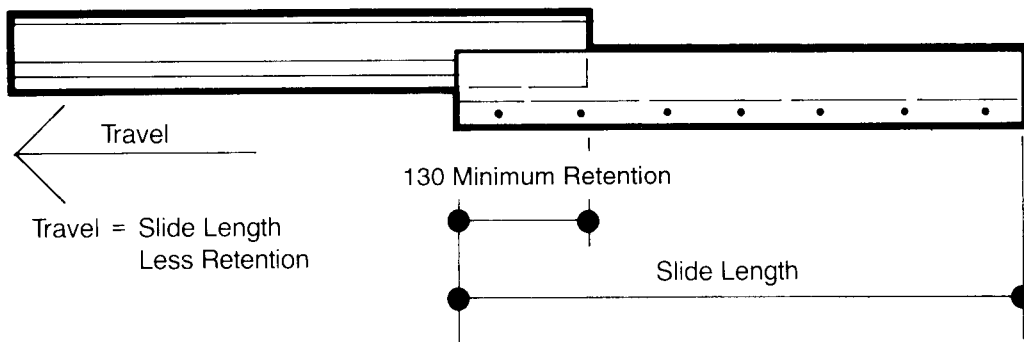
IMPORTANT
 WEIGHT CAPACITY IS NOMINAL.
 RECOMMENDED WORKING LOAD IS
 CONTROLLED BY SLIDE LENGTH AND
 TRAVEL, AND LOAD DISTRIBUTION



ELEVATION STANDARD WITHDRAWAL UNIT

NOT TO SCALE

Note: Slide Tracks must be Parallel and Level.
 Any Misalignment will jamb slides.



Australian Design Award 1990



Charles Marshall Pty Ltd
 Fitzroy Withdrawal Units
 S100W - S100WD
 S500W - S500WD
 S1000W - S1000WD
 Authorised for 1999
 Licence No. 90348
 STANDARDS AUSTRALIA

Marshall

CHARLES MARSHALL PTY. LTD ACN 004 107 411
 451 Burnley St., Richmond, Victoria. 3121. Australia
 Phone: (03) 9429 9044. Fax: 61-3-9428 0238.



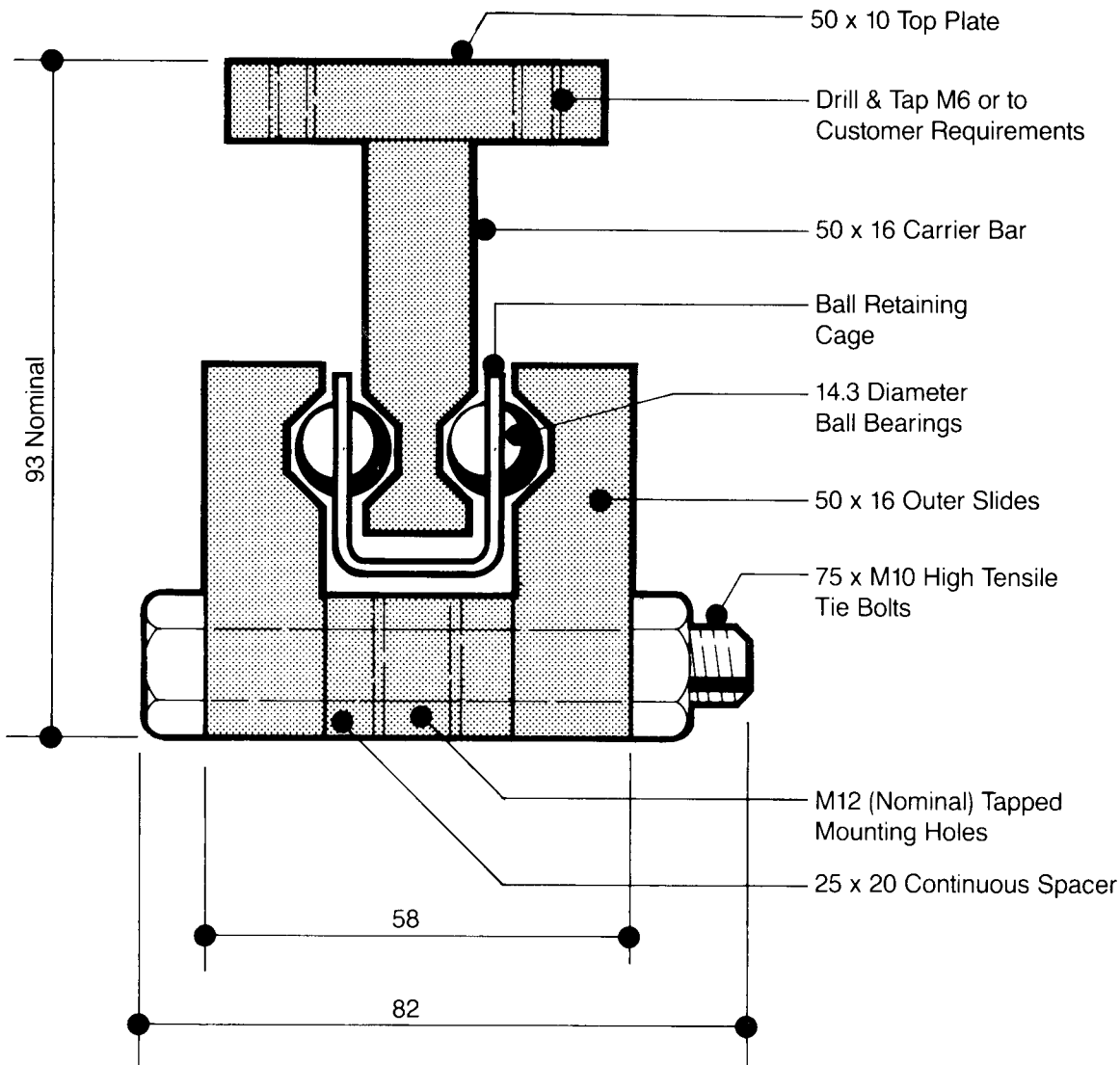
FITZROY BALL BEARING WITHDRAWAL UNITS

STEEL HEAVY S1000W Weight Capacity 1000 Kgs/pair

TYPICAL SECTION STANDARD UNIT

SCALE: FULL SIZE

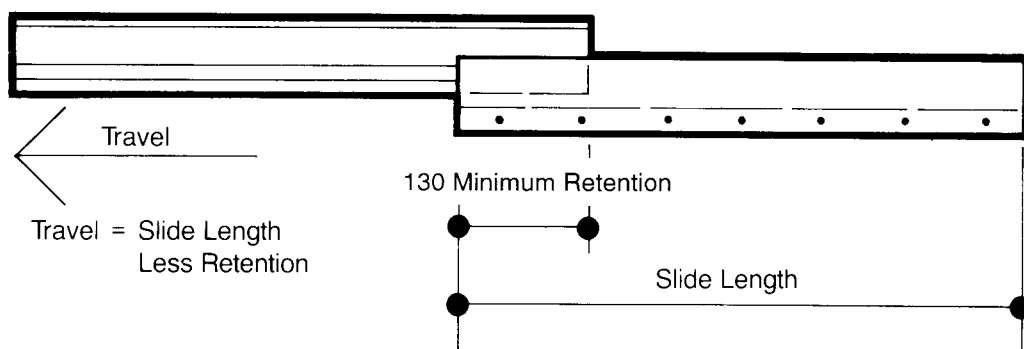
IMPORTANT
 WEIGHT CAPACITY IS NOMINAL.
 RECOMMENDED WORKING LOAD IS
 CONTROLLED BY SLIDE LENGTH AND
 TRAVEL AND LOAD DISTRIBUTION



ELEVATION STANDARD WITHDRAWAL UNIT

NOT TO SCALE

Note: Slide Tracks must be Parallel and Level.
 Any Misalignment will Jam Slide.



Australian Design Award 1990



Charles Marshall Pty Ltd
 Fitzroy® Withdrawal Units
 S100W - S100WD
 S500W - S500WD
 S1000W - S1000WD
 Authorised for 1999
 Licence No. 90348
 STANDARDS AUSTRALIA