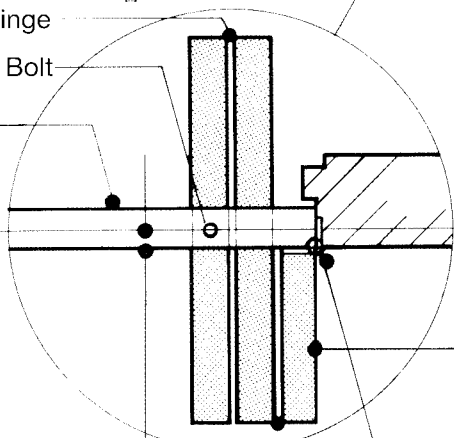
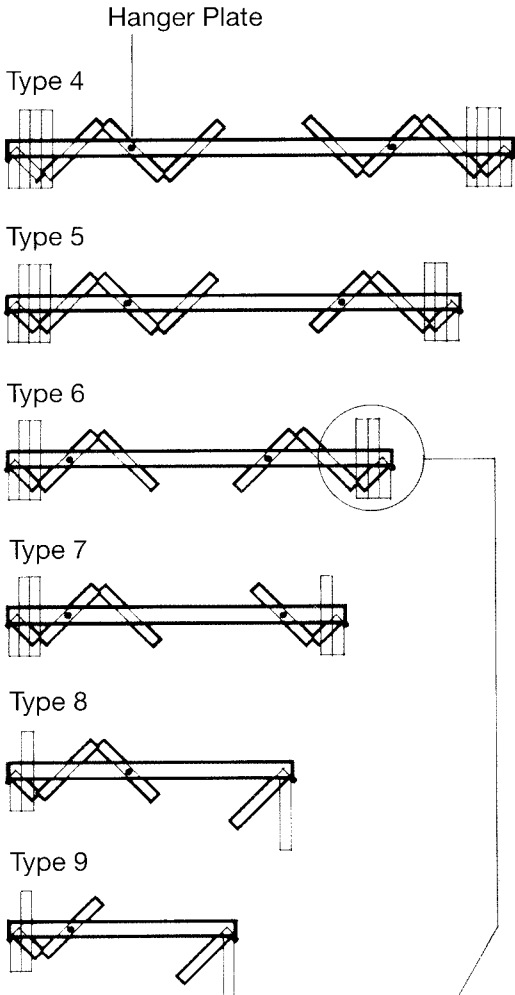


# FITZROY BALL BEARING DOOR TRACKS

## ALLOY LIGHT A500a Accordion Track



**Very Important**  
 Note (1)  
 Subtract half the door thickness from width of half doors

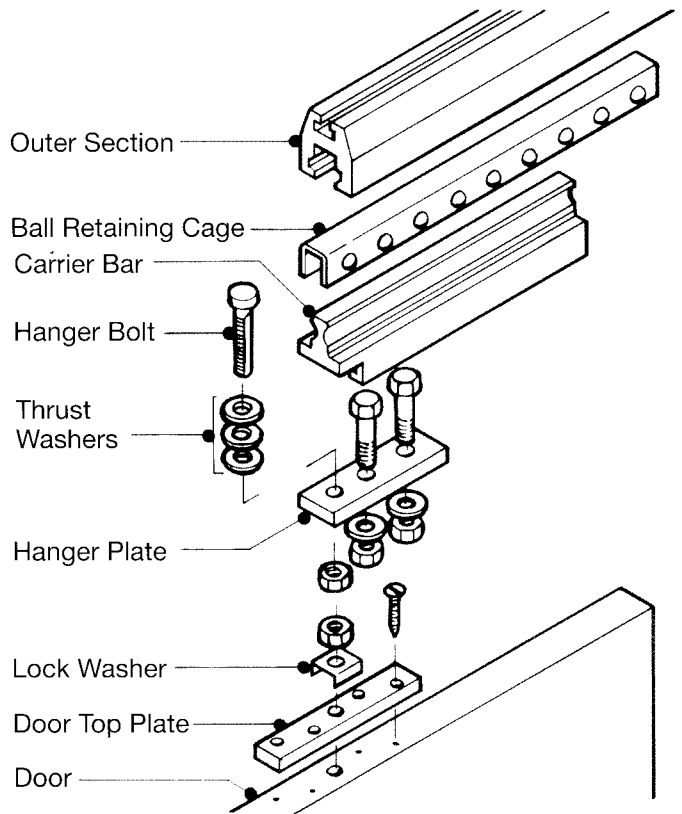
Note  
 No offsets to butts on post

Set out on this page is an Accordion Door System using the Alloy Light "Fitzroy" Door Track.

As for the bi-fold door, overleaf, the suggested maximum door leaf width is 1000mm and the assembly weight should not exceed 50 kg per hanger plate.

For best results good quality butt hinges should be used throughout.

As shown in the diagrams at the left, up to 3½ doors can be swung at each side. Note the location of the hanger plates.



Half Door  
 (See Note (1))

58

See Note

Note  
 45 maximum, 20 minimum, underside of carrier bar to top of door