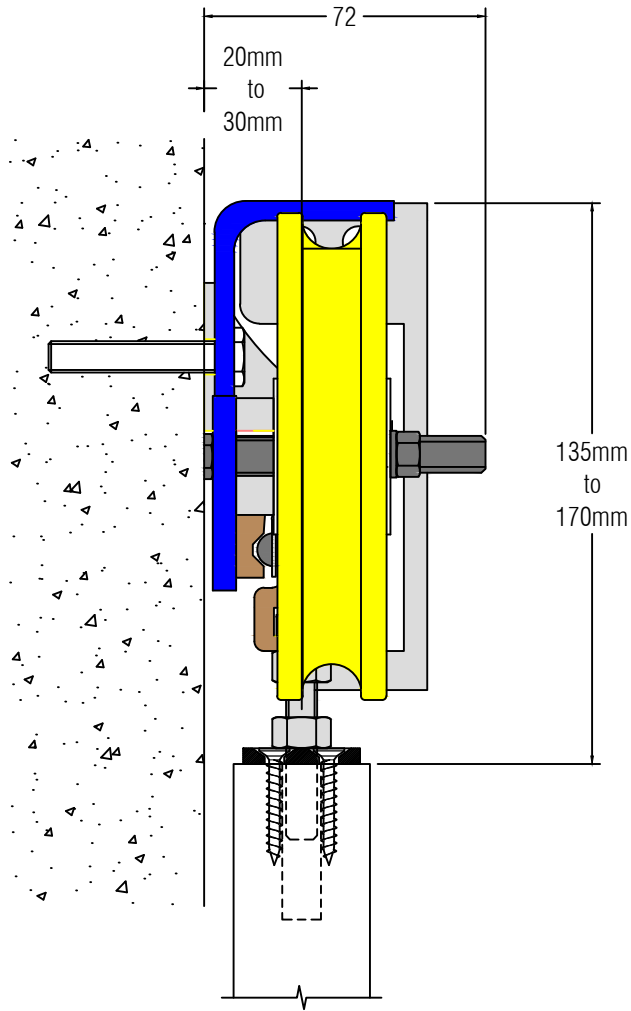


REVISION DETAIL		
DESCRIPTION	DATE	APPROVED



# FITZROY.

BALL BEARING SLIDING TRACK SYSTEM

CHARLES MARSHALL PTY. LTD.

451 BURNLEY ST. RICHMOND. VIC. 3121 PH: 03 9429 9044 FAX: 03 9428 0238

3rd ANGLE PROJECTION

DO NOT SCALE

TITLE:

A100 ALLOY LIGHT "FITZROY" SYNCHRONISED SLIDING DOOR TRACK

THIS DRAWING AND DESIGN IS THE PROPERTY OF CHARLES MARSHALL PTY LTD AND MUST NOT BE COPIED, LOANED OR OTHERWISE WITHOUT THEIR EXPRESS PERMISSION OR LICENCE IN WRITING

DRAWN: B. Hunter

FINISH:

DATE: 16/09/2021

APPROVED:

PART. NO.

A500S

SHT  
OF