

A500 ALLOY MEDIUM **FITZROY® BALL BEARING DOOR TRACKS**

"FITZROY" Reg Trade Name No. 226500
 WEIGHT CAPACITY - 500kg

PROTOTYPE TESTED TO 250 000 OPERATIONS UNDER FULL LOAD

50 x 50 x 6 (2" x 2" x 1 1/4") M.S. ANGLE FACE OF WALL BRACKETS AT MAX. 750 (2' - 6") CENTRES (ALTERNATIVE SIZE 65 x 65 x 6.5 (2 1/2" x 2 1/2" x 1/4"))

SLOTTED HOLE FOR LATERAL ADJUSTMENT

METAL PELMET (OPTIONAL EXTRA)

60

BALL RETAINING CAGE

12 (1/2") DIA. STEEL BALLS
 OPTIONAL CORROSIVE RESISTANT BALLS

SLIDING ADJUSTABLE PENDANT BOLTS

36

MAX 163 (6 1/2")
 MIN 125 (5")

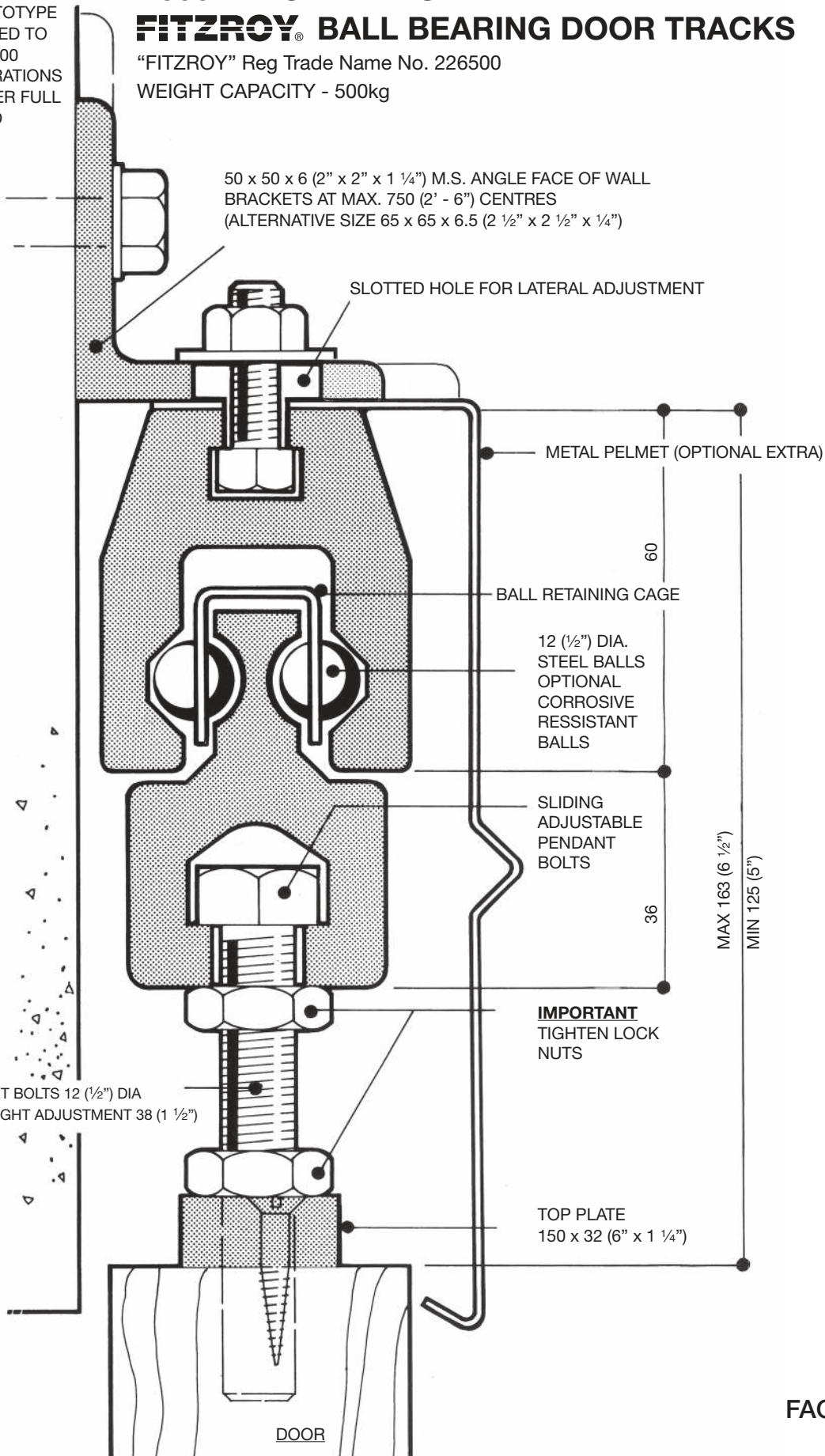
IMPORTANT
 TIGHTEN LOCK NUTS

PENDANT BOLTS 12 (1/2") DIA
 MAX HEIGHT ADJUSTMENT 38 (1 1/2")

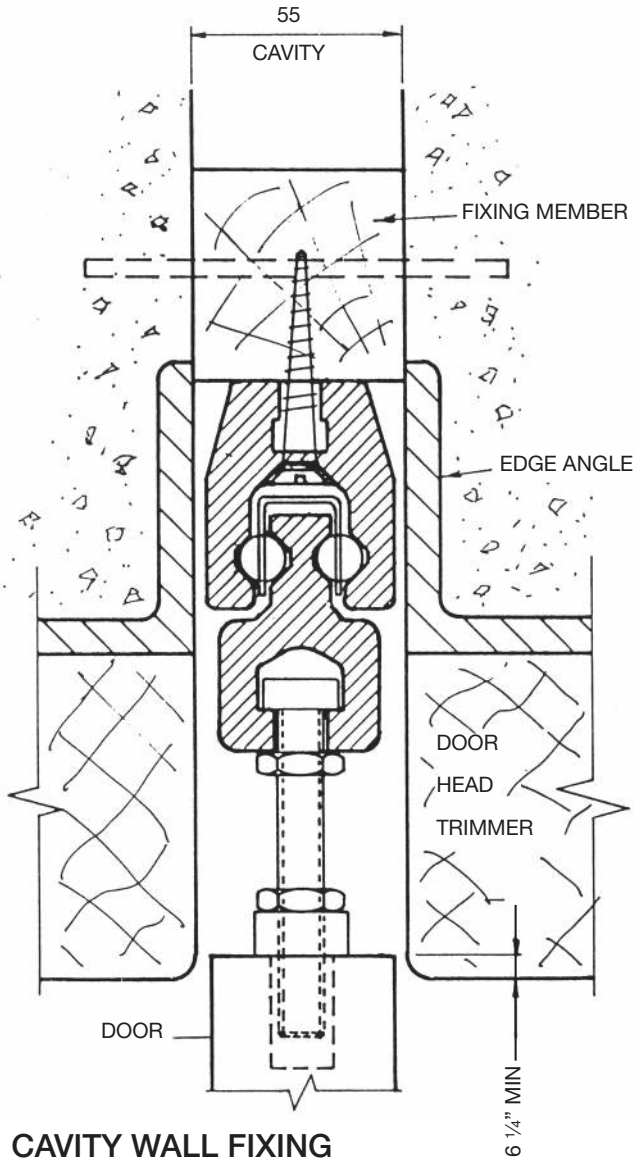
TOP PLATE
 150 x 32 (6" x 1 1/4")

DOOR

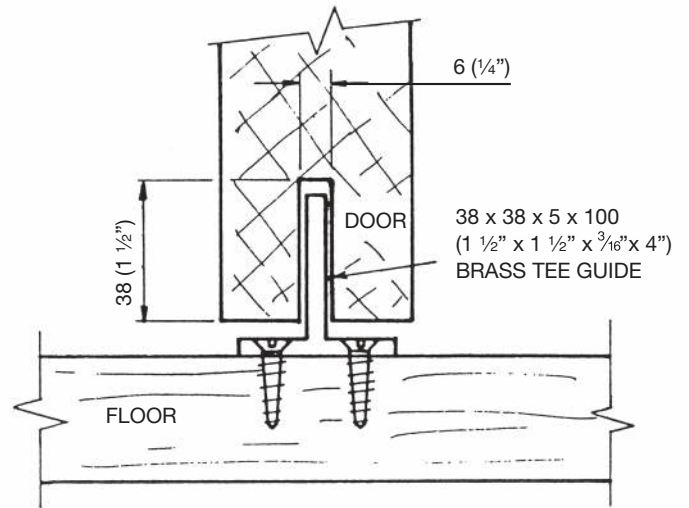
FACE OF WALL FIXING
 SCALE: FULL SIZE



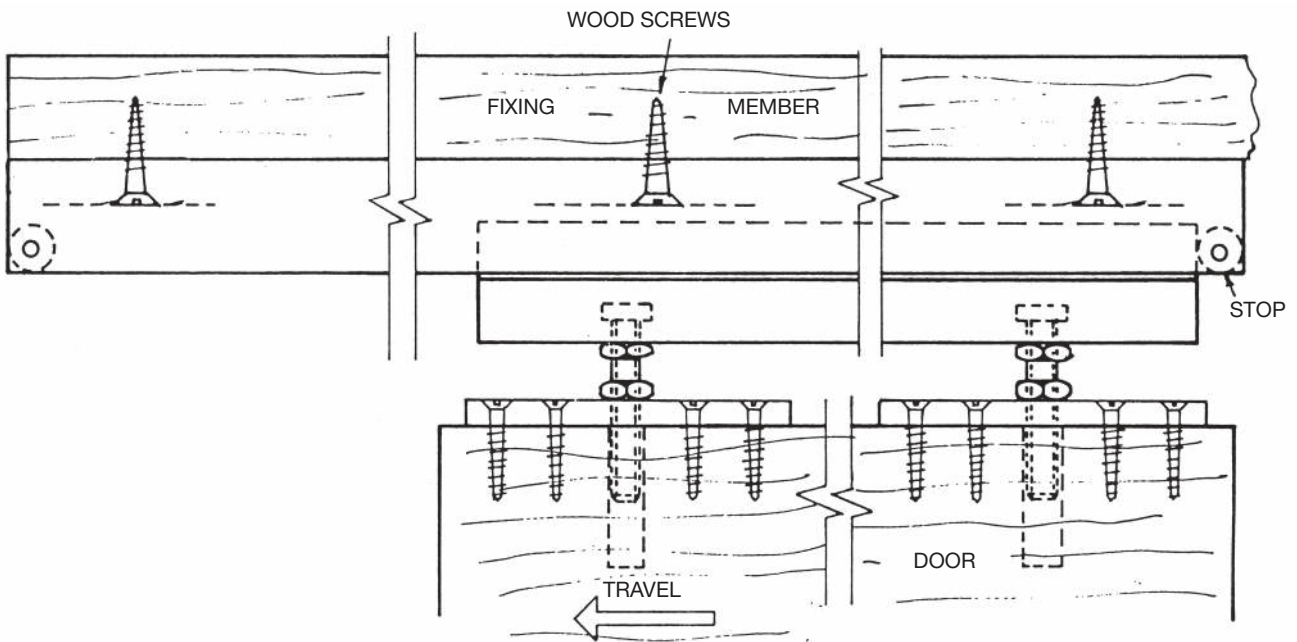
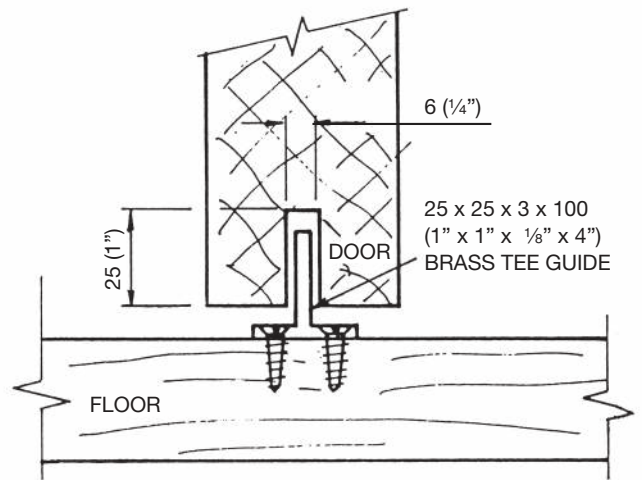
A500 ALLOY MEDIUM FITZROY®



CAVITY WALL FIXING
SCALE: HALF FULL SIZE



DOOR BASE GUIDES
SCALE: HALF FULL SIZE



ELEVATION CAVITY FIXING
SCALE: QUARTER FULL SIZE