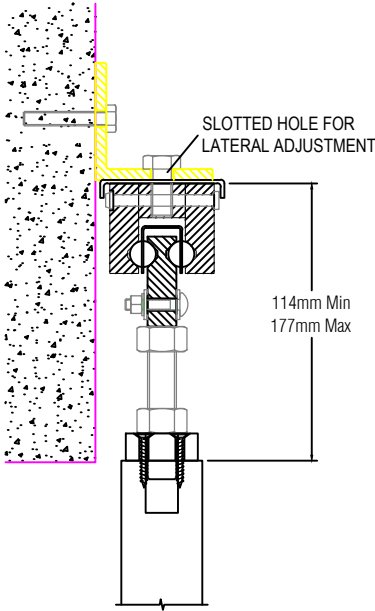
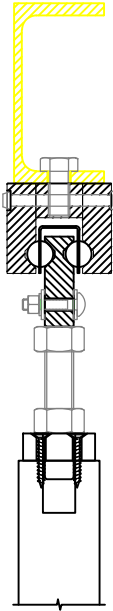


REVISION DETAIL		
DESCRIPTION	DATE	APPROVED

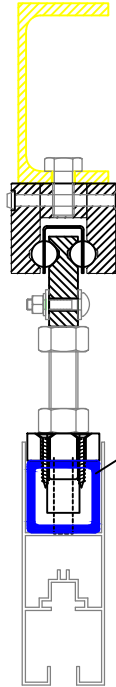
**FACE OF WALL FIXING**



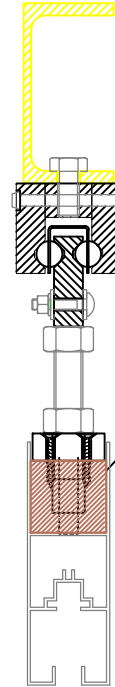
**OVERHEAD BOLT FIXING**



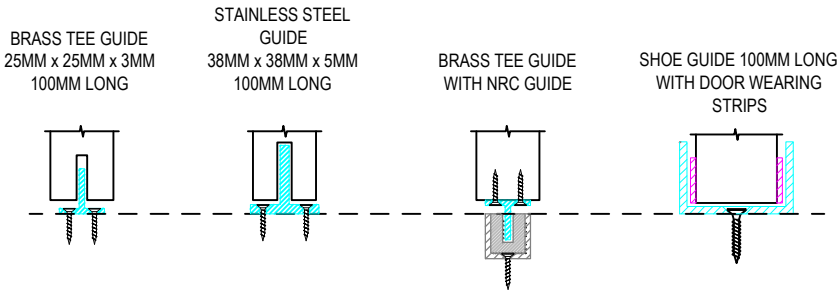
**OVERHEAD BOLT FIXING (ALUMINIUM DOOR WITH SHS)**



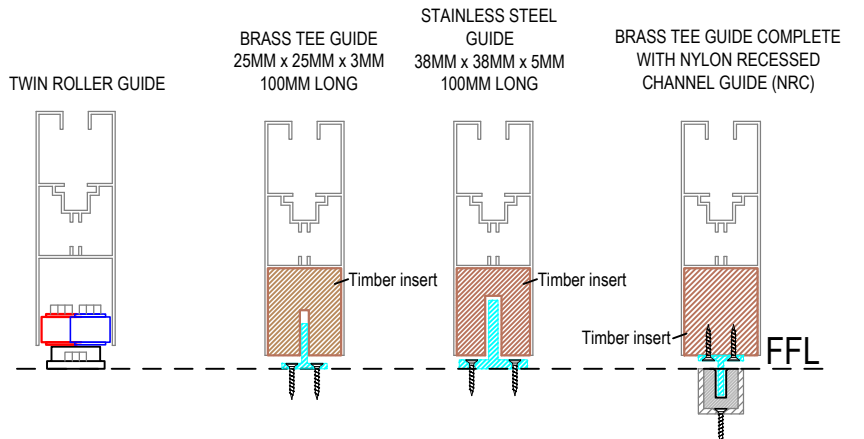
**OVERHEAD BOLT FIXING (ALUMINIUM DOOR WITH TIMBER)**



**TIMBER DOOR GUIDE OPTIONS**



**ALUMINIUM DOOR GUIDE OPTIONS**



**FITZROY**

BALL BEARING SLIDING TRACK SYSTEM

CHARLES MARSHALL PTY. LTD.

451 BURNLEY ST. RICHMOND. VIC. 3121 PH: 03 9429 9044 www.fitzroytracks.com.au

3rd ANGLE PROJECTION

DO NOT SCALE

TITLE: A500 ALLOY MEDIUM "FITZROY" SLIDING DOOR TRACK SYSTEM

DRAWN: B. Hunter

FINISH:

DATE: 13\02\2019

APPROVED:

PART. NO.

SHT  
OF

THIS DRAWING AND DESIGN IS THE PROPERTY OF CHARLES MARSHALL PTY LTD AND MUST NOT BE COPIED, LOANED OR OTHERWISE WITHOUT THEIR EXPRESS PERMISSION OR LICENCE IN WRITING