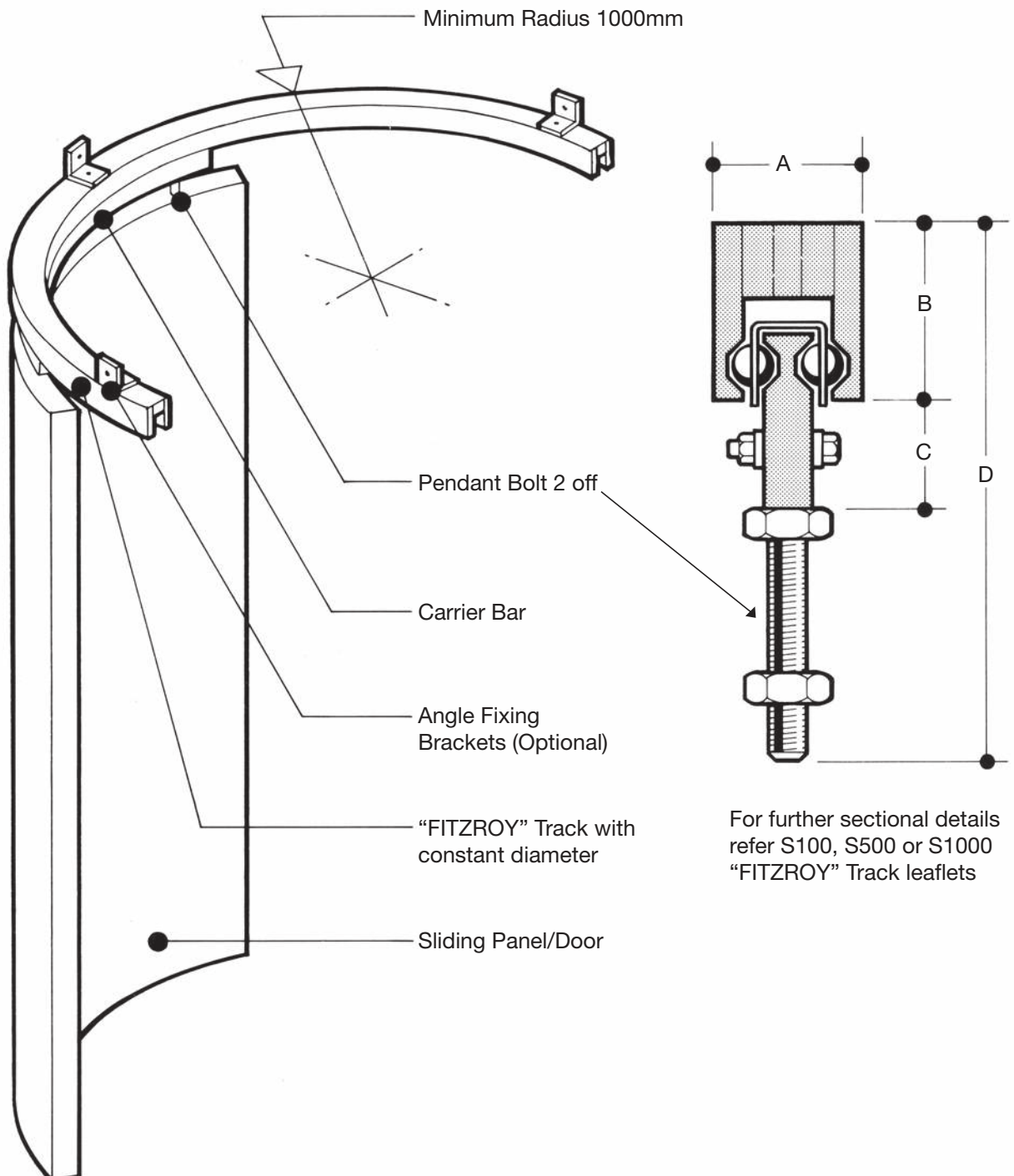


FITZROY® BALL BEARING DOOR TRACKS

CURVED STEEL

TRACK	LOAD Kgs	A	B	C	D
S100C	100	34	32	19	102
S500C	500	42	50	32	152
S1000C	1000	58	50	29	152



For further sectional details refer S100, S500 or S1000 "FITZROY" Track leaflets

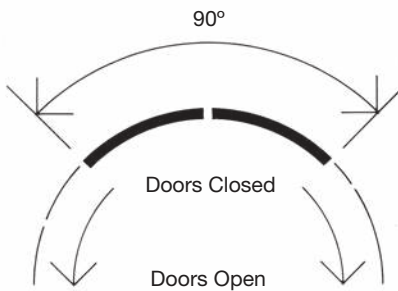
FITZROY® BALL BEARING DOOR TRACKS

CURVED STEEL

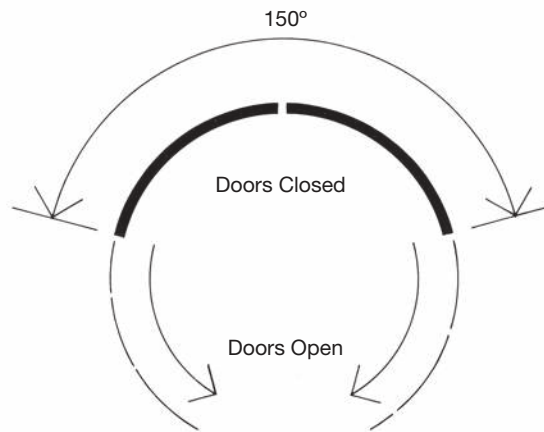
TYPICAL LAYOUTS

Set out below are four plans of views of door or wall movement options which can be achieved with the "FITZROY" curved steel track system. The options can vary to suit client requirements with regard to weight, proposed diameter and opening angle.

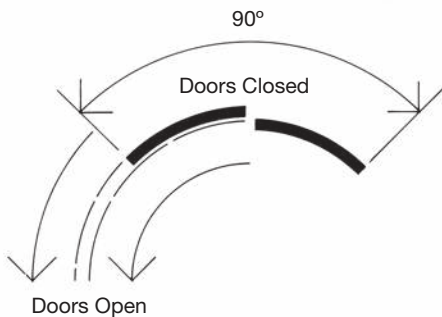
These options can be viewed in elevation if movable vaulting is required.



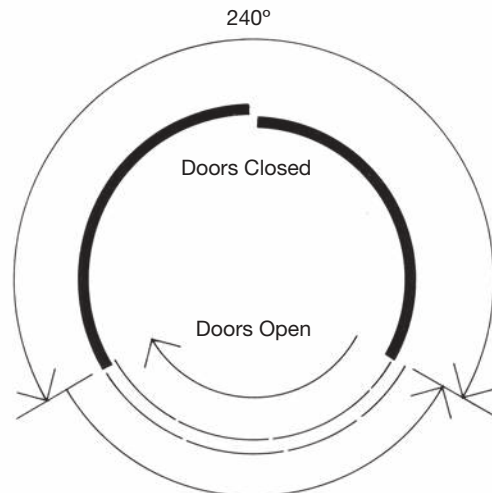
1. **Single Track**
90° Opening



2. **Single Track**
150° Opening



3. **Dual Track**
90° Opening



4. **Dual Track**
240° Opening