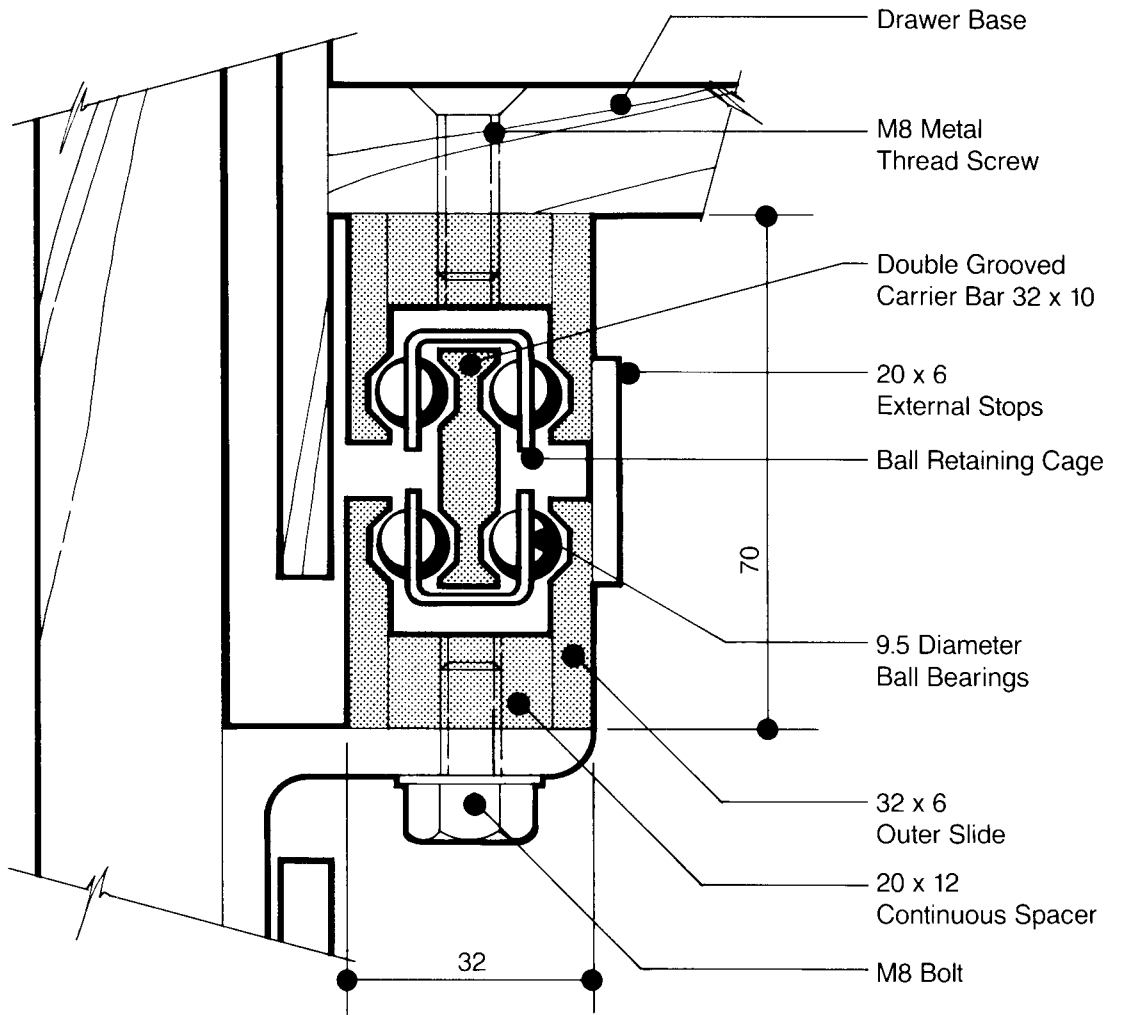


**STEEL LIGHT S100WD**

**SECTION. FULL TRAVEL UNIT (LESS RETENTION)**

SCALE: FULL SIZE



**ELEVATION FULL TRAVEL UNIT**

NOT TO SCALE

