

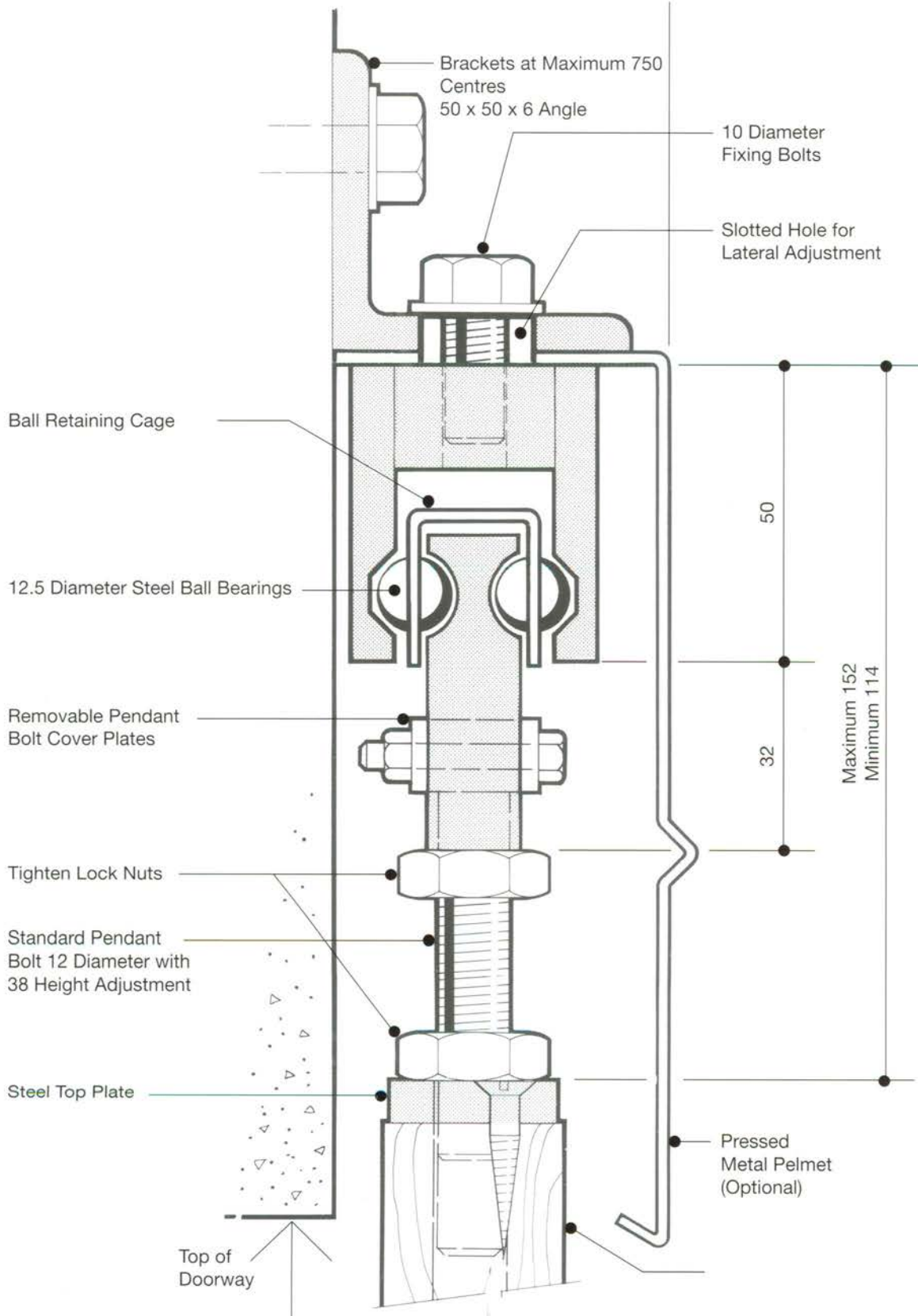
**S500 STEEL MEDIUM**

Weight Capacity - 500 Kgs

**FITZROY BALL BEARING DOOR TRACKS**

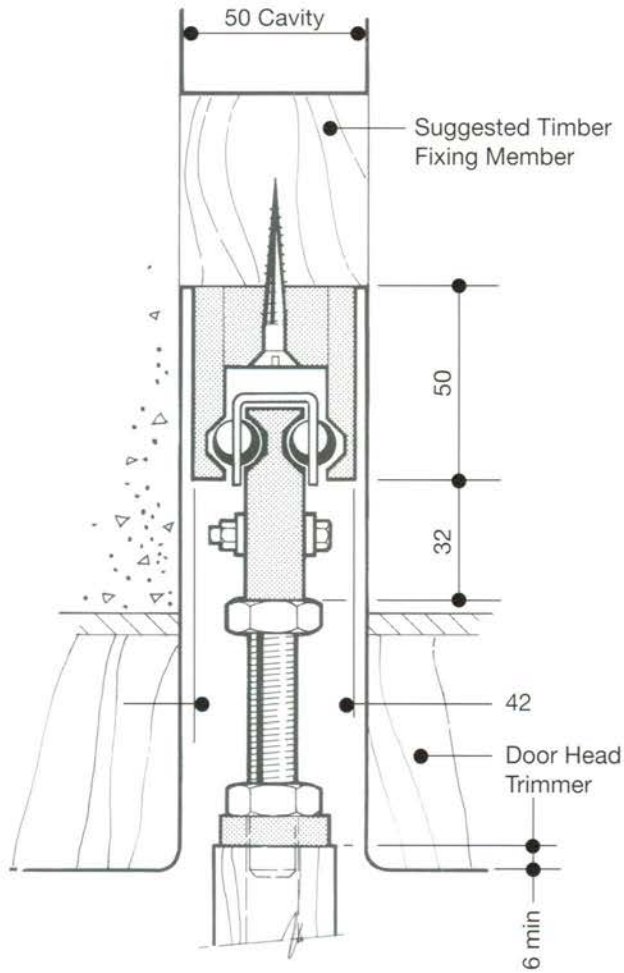
**FACE OF WALL FIXING**

SCALE: FULL SIZE



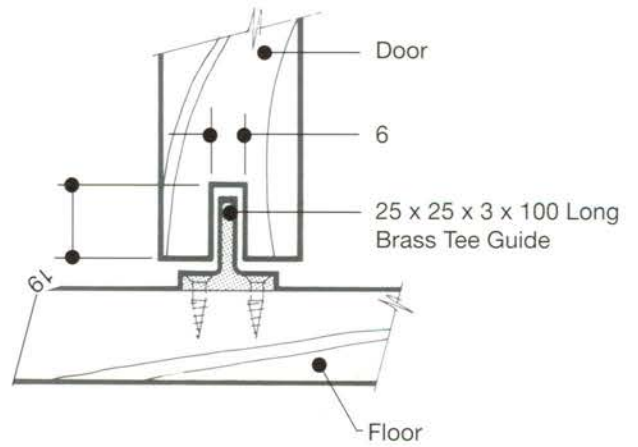
**CAVITY WALL FIXING**

SCALE: HALF FULL SIZE



**DOOR BASE GUIDE**

SCALE: HALF FULL SIZE



**ELEVATION - CAVITY FIXING**

SCALE: QUARTER FULL SIZE

