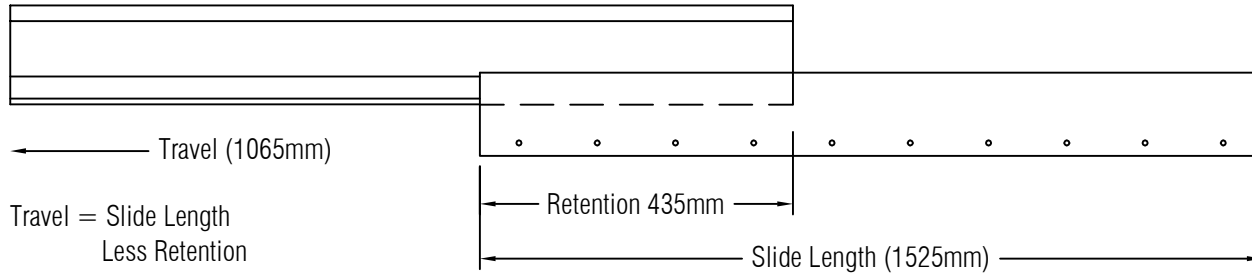
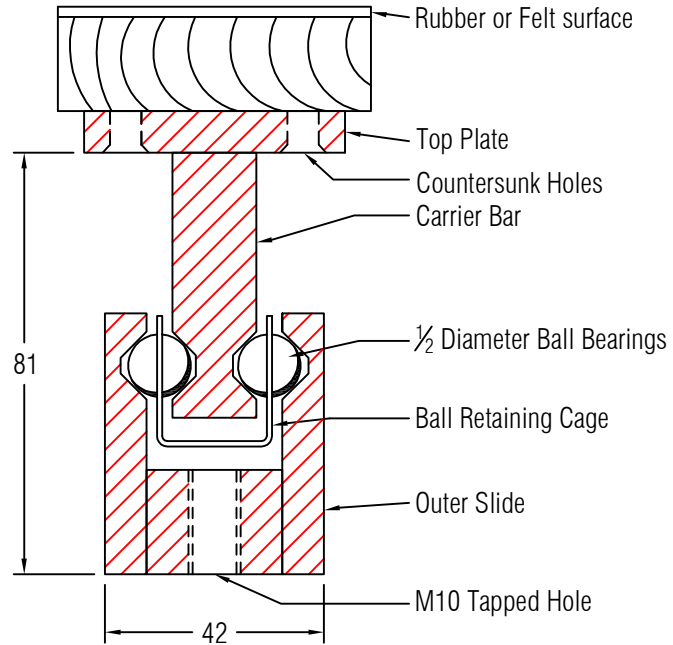


REVISION DETAIL		
DESCRIPTION	DATE	APPROVED



CHARLES MARSHALL PTY. LTD.	
451 BURNLEY ST. RICHMOND. VIC. 3121 PH: 03 9429 9044 FAX: 03 9428 0238	
3rd ANGLE PROJECTION	DO NOT SCALE
TITLE: S500 BRT	

TOLERANCE: UNLESS NOTED, M/C & HOLE CENTRES TO .5. ANGLES +/- 0 30 M/C WHERE SHOWN SYMBOLS TO AS1100

NOTE: THIS DRAWING AND DESIGN IS THE PROPERTY OF CHARLES MARSHALL. AND MUST NOT BE COPIED, LOANED OR OTHERWISE USED WITHOUT THEIR EXPRESS PERMISSION OR LICENCE IN WRITING

MAT:	DRAWN: B. Hunter	FINISH:	DATE: 26/8/2016
SCALE:	APPROVED:	PART. NO. S500 BRT	SHT OF