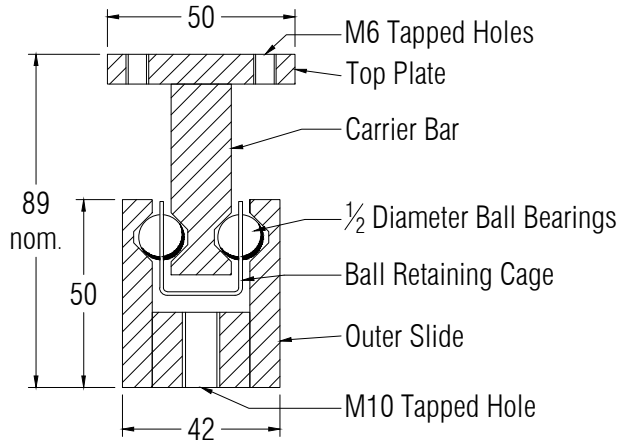
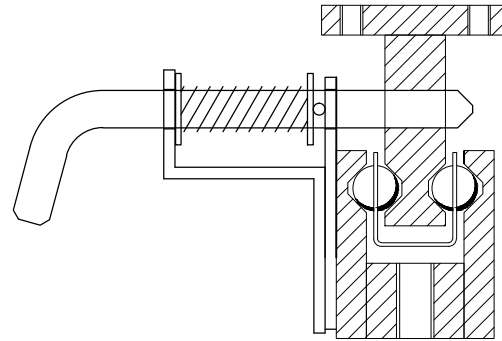


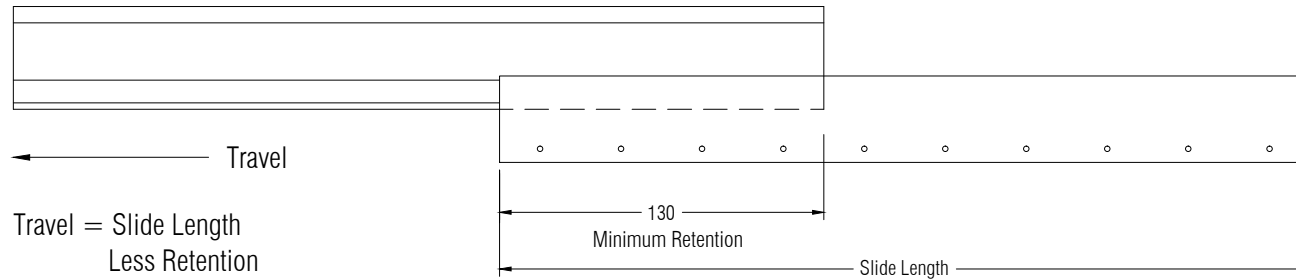
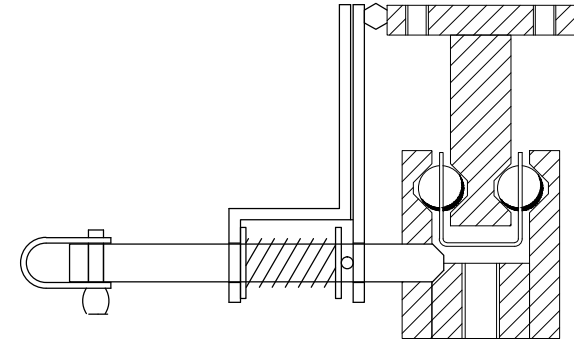
| REVISION DETAIL |      |          |
|-----------------|------|----------|
| DESCRIPTION     | DATE | APPROVED |
|                 |      |          |
|                 |      |          |
|                 |      |          |



Spring lock bolt - front mounted



Spring lock bolt - rear mounted



**CHARLES MARSHALL PTY. LTD.**  
 451 BURNLEY ST. RICHMOND. VIC. 3121 PH: 03 9429 9044 FAX: 03 9428 0238  
 3rd ANGLE PROJECTION DO NOT SCALE  
 TITLE: S500W STEEL MEDIUM FITZROY HEAVY DUTY WITHDRAWAL UNITS

TOLERANCE: UNLESS NOTED, M/C & HOLE CENTRES TO .5. ANGLES +/- 0 30 M/C WHERE SHOWN SYMBOLS TO AS1100  
 NOTE: THIS DRAWING AND DESIGN IS THE PROPERTY OF CHARLES MARSHALL. AND MUST NOT BE COPIED, LOANED OR OTHERWISE USED WITHOUT THEIR EXPRESS PERMISSION OR LICENCE IN WRITING

|        |                  |                 |                  |
|--------|------------------|-----------------|------------------|
| MAT:   | DRAWN: B. Hunter | FINISH:         | DATE: 22/09/2021 |
| SCALE: | APPROVED:        | PART. NO. S500W | SHT OF           |