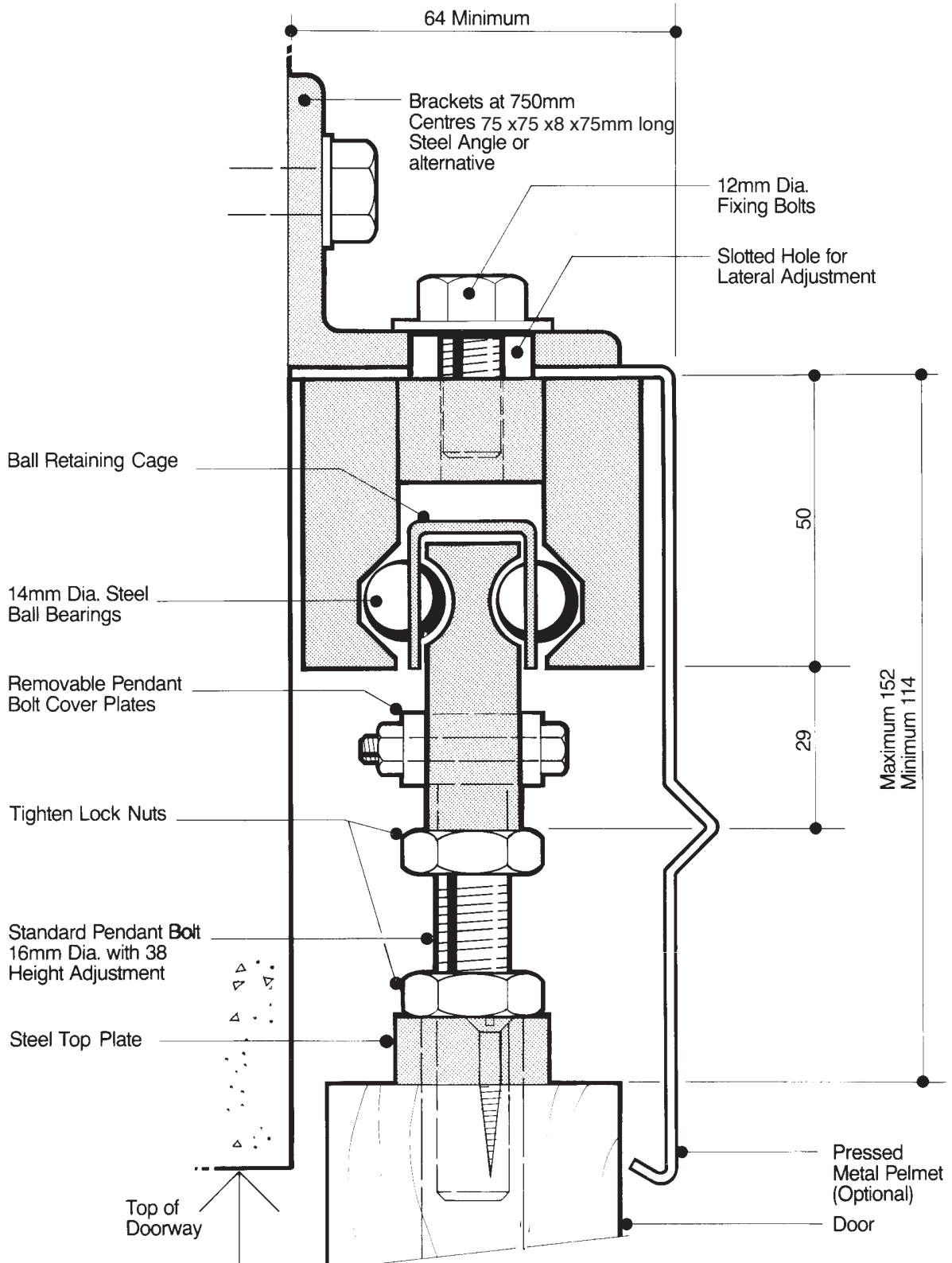


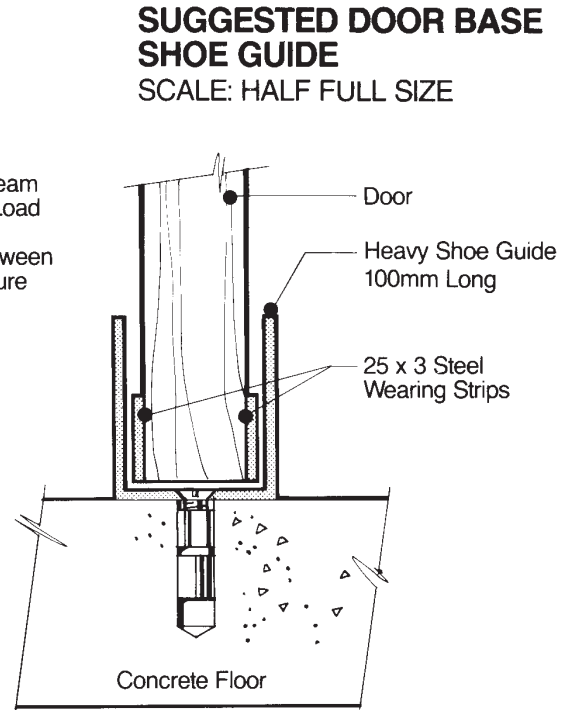
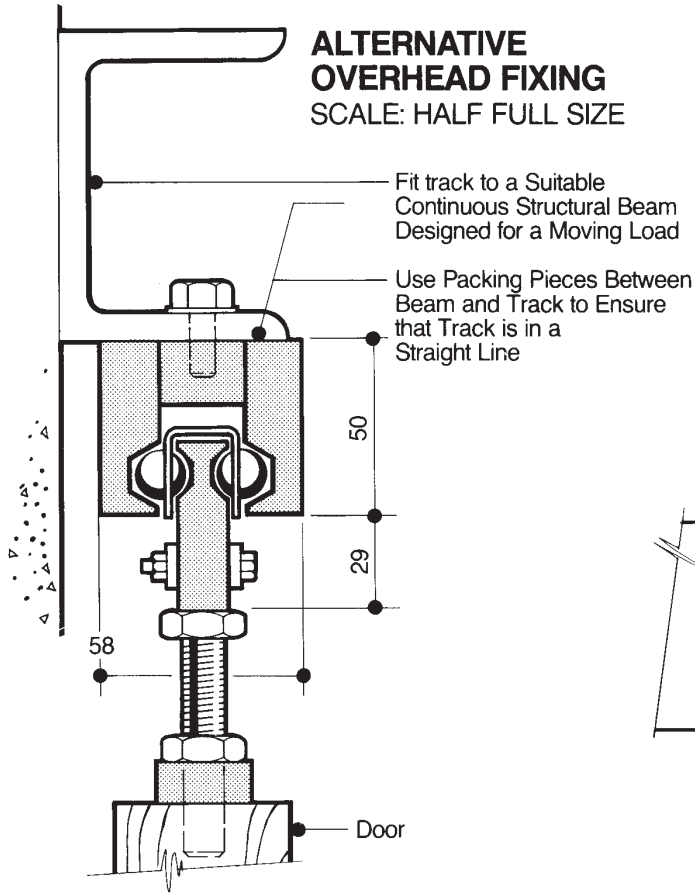
FITZROY BALL BEARING DOOR TRACKS

STEEL HEAVY S1000

Weight Capacity 1000 Kgs

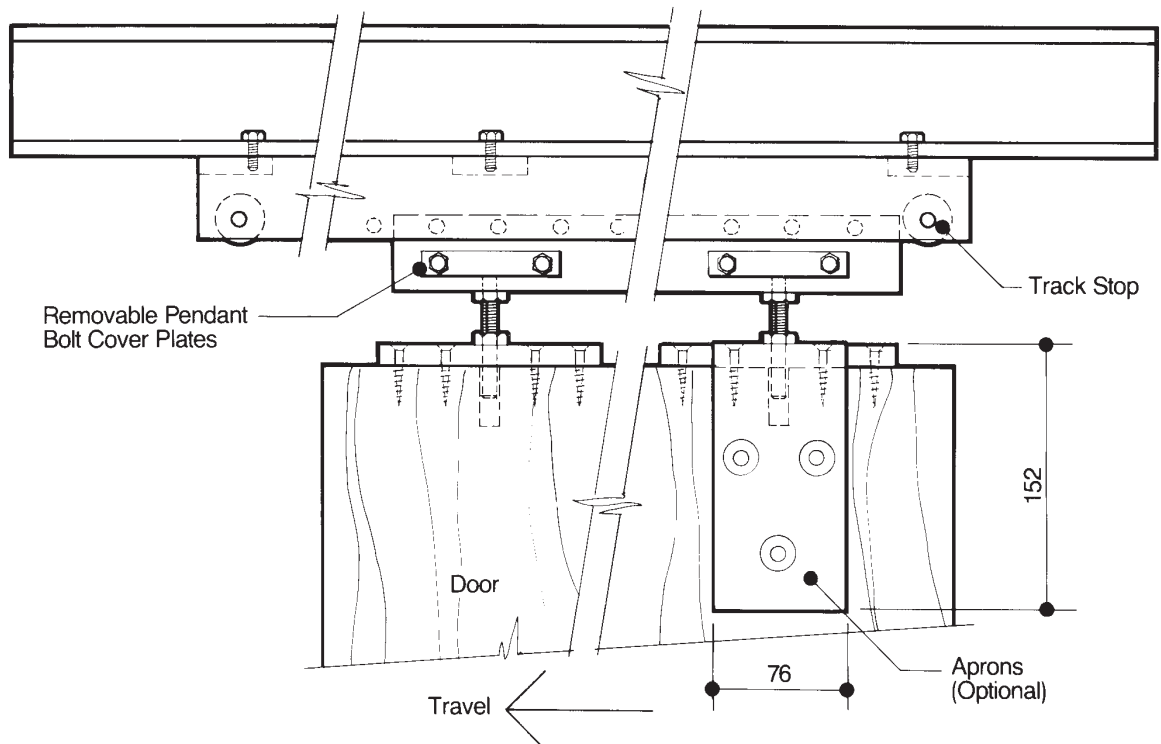
FACE OF WALL FIXING SCALE: FULL SIZE





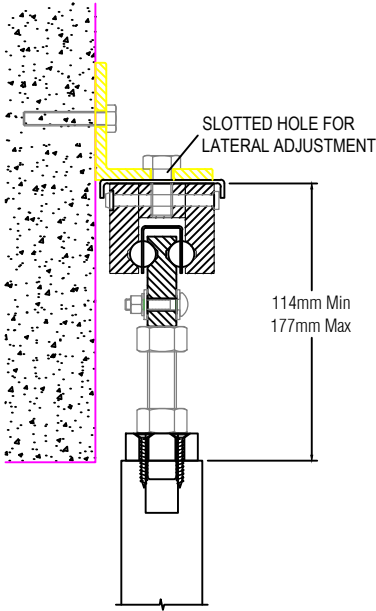
ELEVATION

SCALE: QUARTER FULL SIZE

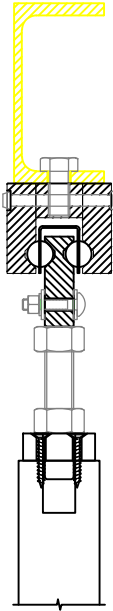


REVISION DETAIL		
DESCRIPTION	DATE	APPROVED

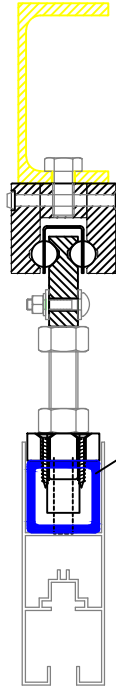
FACE OF WALL FIXING



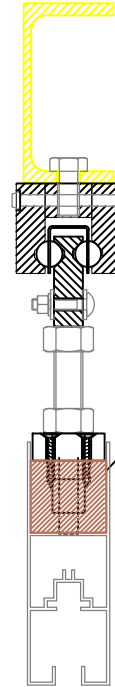
OVERHEAD BOLT FIXING



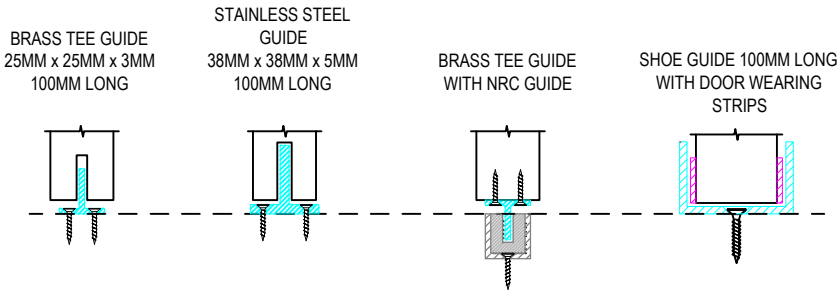
OVERHEAD BOLT FIXING (ALUMINIUM DOOR WITH SHS)



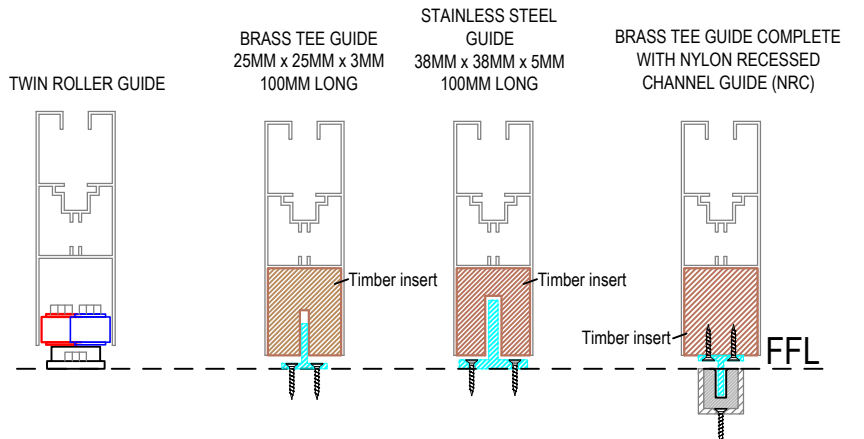
OVERHEAD BOLT FIXING (ALUMINIUM DOOR WITH TIMBER)



TIMBER DOOR GUIDE OPTIONS



ALUMINIUM DOOR GUIDE OPTIONS



FITZROY

BALL BEARING SLIDING TRACK SYSTEM

CHARLES MARSHALL PTY. LTD.

451 BURNLEY ST. RICHMOND. VIC. 3121 PH: 03 9429 9044 www.fitzroytracks.com.au

3rd ANGLE PROJECTION

DO NOT SCALE

TITLE: A500 ALLOY MEDIUM "FITZROY" SLIDING DOOR TRACK SYSTEM

DRAWN: B. Hunter	FINISH:	DATE: 13\02\2019
APPROVED:	PART. NO.	SHT OF

THIS DRAWING AND DESIGN IS THE PROPERTY OF CHARLES MARSHALL PTY LTD AND MUST NOT BE COPIED, LOANED OR OTHERWISE WITHOUT THEIR EXPRESS PERMISSION OR LICENCE IN WRITING







S1000_1a_1b2.jpg

