

FITZROY BALL BEARING WITHDRAWAL UNITS

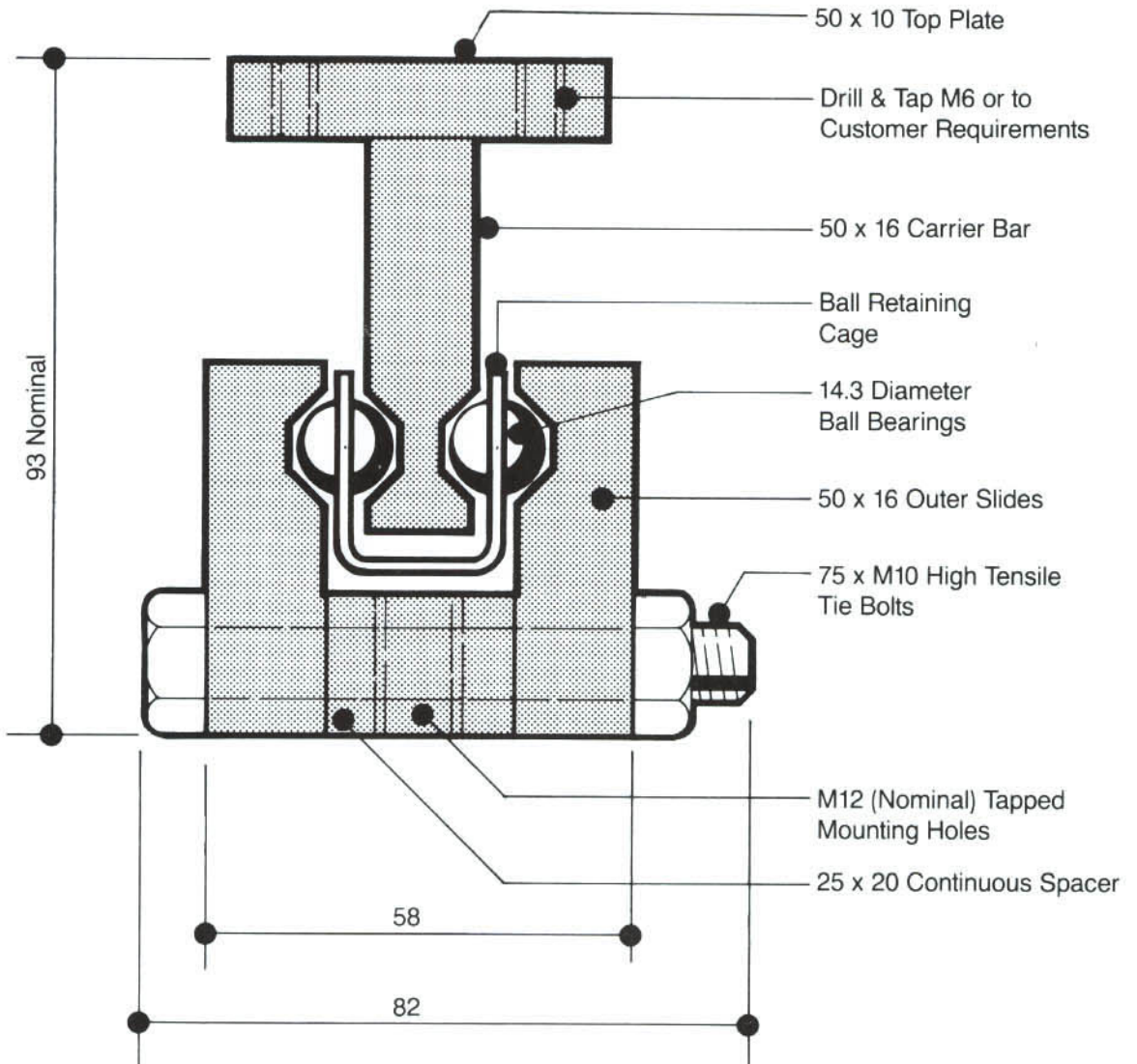
STEEL HEAVY S1000W

Weight Capacity 1000 Kgs/pair

TYPICAL SECTION STANDARD UNIT

SCALE: FULL SIZE

IMPORTANT
 WEIGHT CAPACITY IS NOMINAL.
 RECOMMENDED WORKING LOAD
 CONTROLLED BY SLIDE LENGTH AND
 TRAVEL, AND LOAD DISTRIBUTION.



ELEVATION STANDARD WITHDRAWAL UNIT

NOT TO SCALE

Note: Slide Tracks must be Parallel and Level.
 Any Misalignment will Jam Slide.

