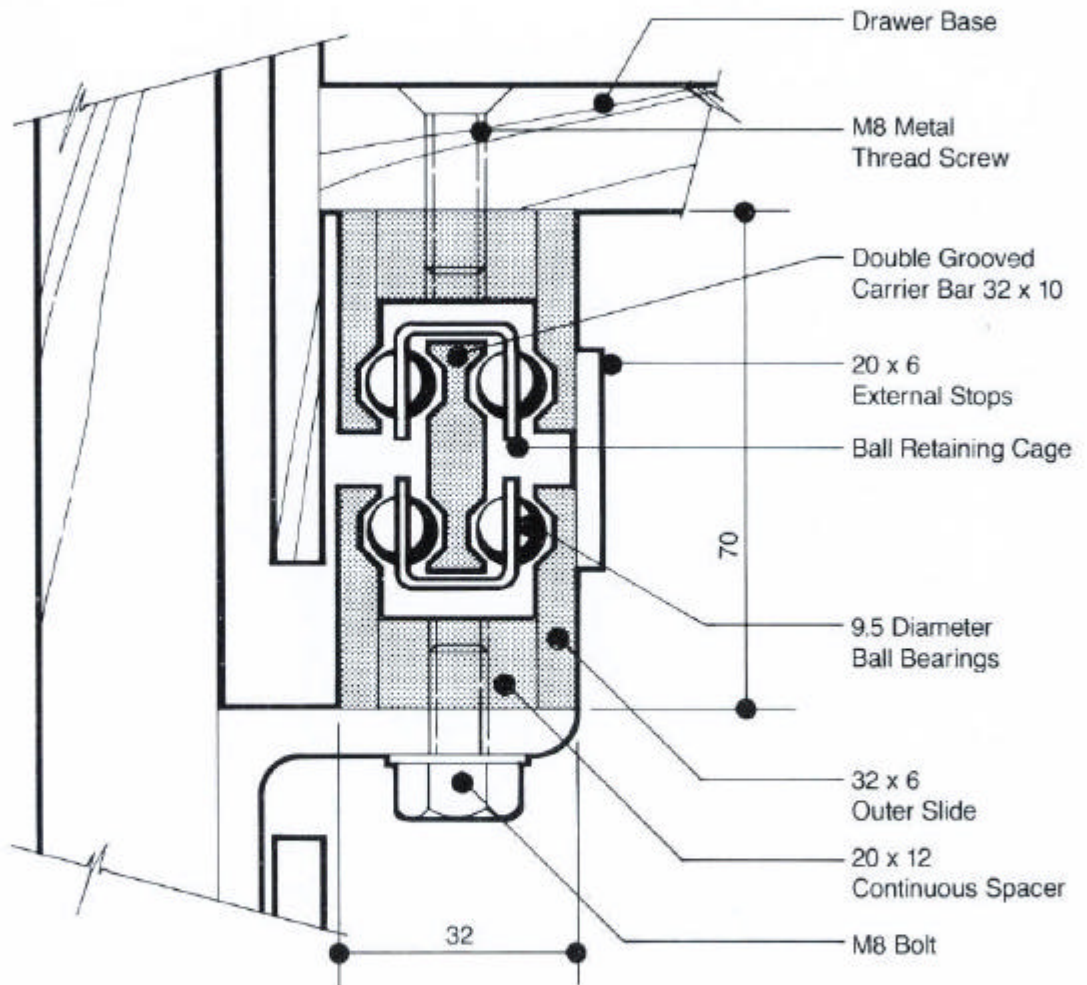


STEEL LIGHT S100WD

SECTION. FULL TRAVEL UNIT (LESS RETENTION)

SCALE: FULL SIZE



ELEVATION FULL TRAVEL UNIT

NOT TO SCALE

